

# KÄRCHER

makes a difference



**ALWAYS WELL-EQUIPPED.**

For long and heavy-duty use.

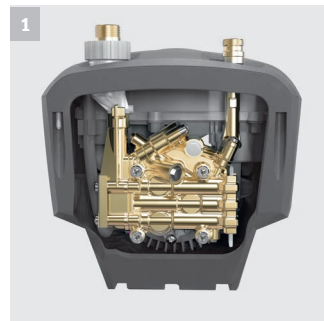
PROFESSIONAL | HD MID CLASS CAGE SERIES

# HD MID CLASS CAGE



## For commercial use under tough conditons.

Whether in vertical or horizontal use: the unheated Cage mid class can cope with any situation in tough, daily commercial use. These mobile, very robust machines are equipped with a new 3-piston axial pump with brass cylinder head, which makes possible an improvement of up to 20 percent in cleaning performance and energy efficiency. An automatic pressure relief device is integrated to protect all the high-pressure components, and an additional water filter is installed for the pump itself. This series is designed to make servicing very easy, and is equipped with a powder-coated tubular steel frame which ensures that the high-pressure cleaner can be used in even the toughest applications without damage.



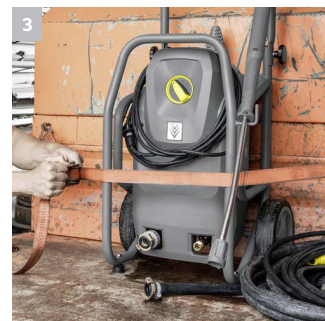
### 1 High-quality equipment

- Automatic pressure relief for protecting the components extends their life.
- Powerful, air-cooled electric motor (2-pole versions) and powerful, slow-running electric motor (4 pole version).
- High-quality brass cylinder head.



### 2 Prepared for stationary operation

- Simple and robust 3-point attachment for wall mounting on the rear of unit.
- Space-saving, compact design.
- Robust plastic chassis reliably protects the pump against damage and dirt.



### 3 Durable and robust

- Sturdy tubular steel frame protects all components.
- The tubular steel frame is also suitable for simple fastening and lashing of the machine in the service vehicle.
- Robust plastic chassis reliably protects the pump against damage and dirt.



### 4 Increased energy efficiency

- Newly developed 3-piston axial pump with considerably reduced flow and pressure losses.
- 20% increase in cleaning performance and energy efficiency.

# Technical data and equipment

## HD Mid Class Cage Series

- = Vertical or horizontal use.
- = Easy serviceability.

Technical data				
Current type	Ph/V/Hz	110/1/60	230/1/60	230/1/60
Flow rate	gpm	2.3	3.0	3.0
Working pressure	psi	1500	2000	2000
Connection load	A	19	18	18
Power cable	in	197	197	197
Sound pressure level	dB(A)	78	78	78
Weight	lbs	86	86	92.5
Dimensions	LxWxH (in)	17.9x15.8x38.2	17.9x15.8x38.2	17.5x15.8x38.2
Material		1.150-936.0	1.150-939.0	1.524-944.0

## Equipment

Product	Order No.	Description
HD 2.3/15 M Cage Ed	1.150-936.0	2.3 gpm, 1500 psi, caged unit, 120V, 2-pole
HD 3.0/20 M Cage Ea	1.150-939.0	3.0 gpm, 2000 psi, caged unit, 220V, 2-pole
HD 3.0/20-4 M Cage Ea	1.524-944.0	3.0 gpm, 2000 psi, caged unit, 220V, 4-pole

## Accessories

Order No.	Description
■ 4.118-005.0	EASY!Force Advanced
■ 4.112-006.0	Jet pipe TR 840 mm
■ 2.113-005.0	Power nozzle TR 25036 (standard on 1.150-936.0)
■ 2.113-007.0	Power nozzle TR 25042 (standard on 1.150-939.0 and 1.524-944.0)
□ 6.110-034.0	High-pressure hose, 2 x EASY!Lock, DN 6, 250 bar, 10 m
□ 6.110-035.0	High-pressure hose 2 x EASY!Lock DN 6, 250 bar, 10 m, ANTI!Twist
□ 6.110-014.0	High-pressure hose, 2 x EASY!Lock, DN 8, 315 bar, 30 m, ANTI!Twist
□ 6.110-030.0	High-pressure hose 2 x EASY!Lock DN 8, 315 bar, 15 m, ANTI!Twist
□ 6.110-027.0	Longlife 400 high-pressure hose, 2 x EASY!Lock, DN 8, 400 bar, 20 m, ANTI!Twist
□ 6.110-023.0	Longlife 400 high-pressure hose, 2 x EASY!Lock, DN 8, 400 bar, 30 m, ANTI!Twist
□ 6.110-029.0	Longlife 400 high-pressure hose, 2 x EASY!Lock, DN 8, 400 bar, 15 m, ANTI!Twist
□ 2.115-001.0	Male coupling
□ 2.115-000.0	Quick coupling
□ 4.114-040.0	Dirt blaster, large
□ 4.114-019.0	Dirt Blaster, small
□ 2.111-013.0	Hard Surface Cleaner FR 30 Me
□ 2.111-010.0	FRV 30 Surface Cleaner
□ 4.112-045.0	PowerControl spray lance 034 (for use on 1.150-936.0)
□ 4.112-046.0	PowerControl spray lance 042 (for use on 1.150-939.0 and 1.524-944.0)

Contact us for our full range of accessories including couplings, adapters and more!

■ Included □ Optional

Please contact us for more information:

**Karcher Canada Inc.**

275 Pendant Drive

Mississauga, ON

L5T 2W9

Phone 905-364-5006

Fax 800-465-6013

[www.karcher.ca](http://www.karcher.ca)

[sales\\_kci@karcherna.com](mailto:sales_kci@karcherna.com)