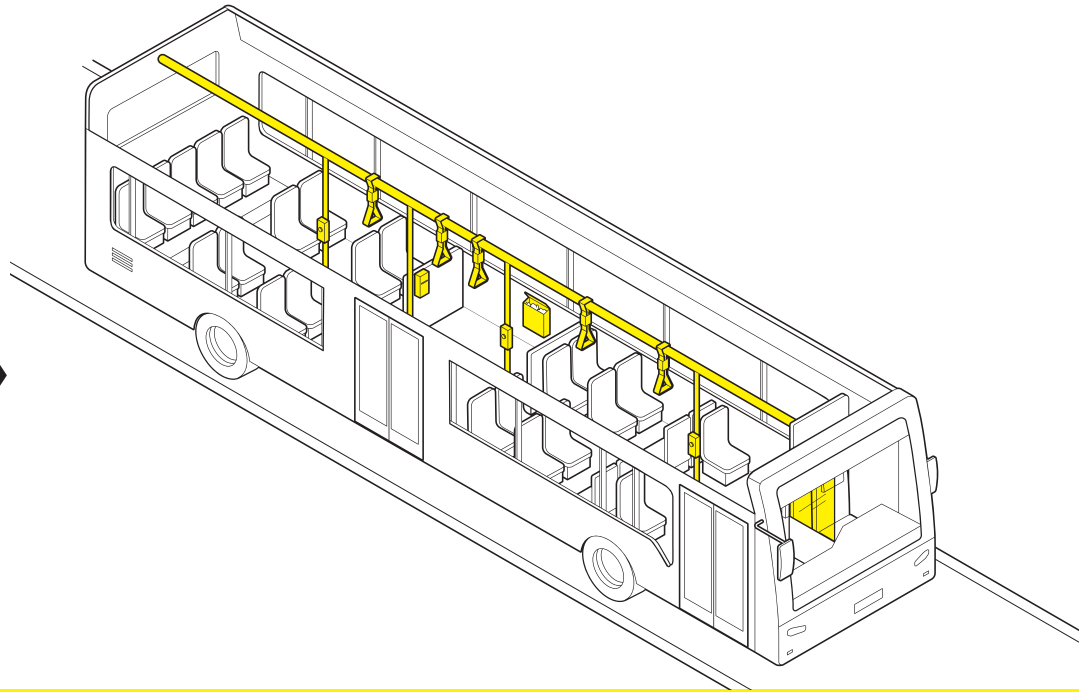


## CITY BUS: CRITICAL TOUCH POINT TREATMENT



## KEY TOUCH POINTS

Focus on points that are touched frequently by several people throughout the day.



Handrails



Door  
buttons



Payment  
terminal/  
ticket  
readers



Waste bins



Sneeze  
guard

## PRODUCT REFERENCE



Microfibre

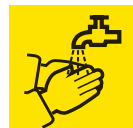


RM 735

Before cleaning

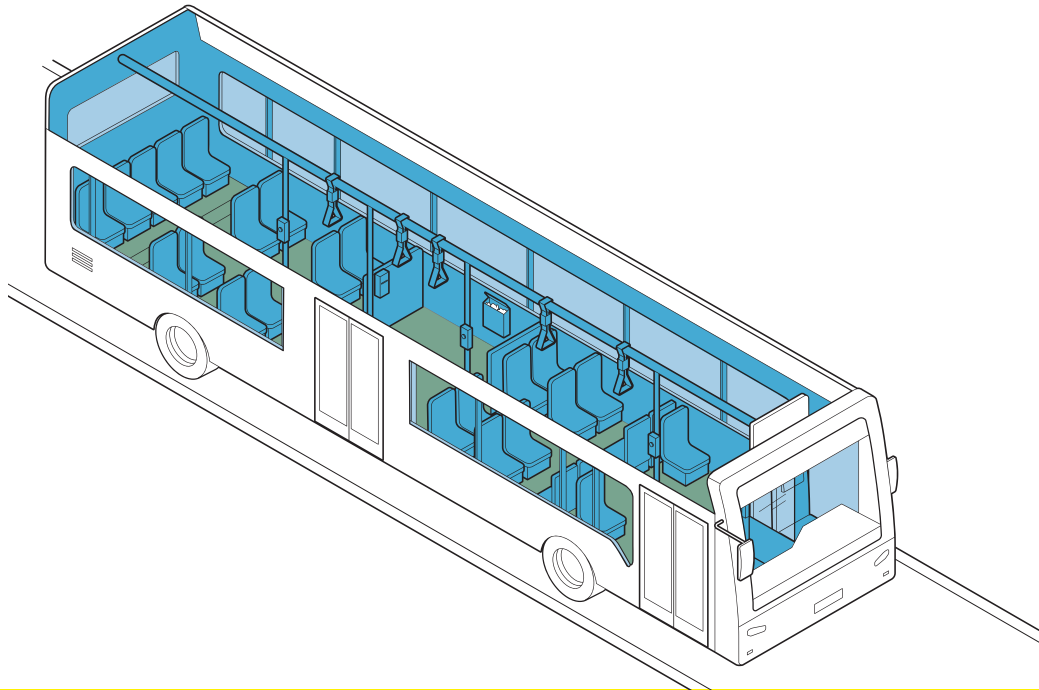


After cleaning



Read the product information sheet and the safety instructions before using detergents or machines.

## CITY BUS: HYGIENIC CLEANING



## CLEANING SCOPE

Product recommendation and schedule for superior cleaning results.

### Surfaces



CA 30 C Microfibre

Mon	Tue	Wed	Thu	Fri	Sat	Sun	as required

### Glass/ mirrors/ displays



CA 40 R Microfibre glass WVP 10 Bottle set

Mon	Tue	Wed	Thu	Fri	Sat	Sun	as required

### Hard floor manual



ECO!Broom Litter Picker ECO!Mop CA 50 C Wet mop

Mon	Tue	Wed	Thu	Fri	Sat	Sun	as required

### Hard floor mechanical



T 9/1 BP CA 50 C BR 30/4 BR 35/12

Mon	Tue	Wed	Thu	Fri	Sat	Sun	as required

### Before cleaning



### After cleaning



Read the product information sheet and the safety instructions before using detergents or machines.