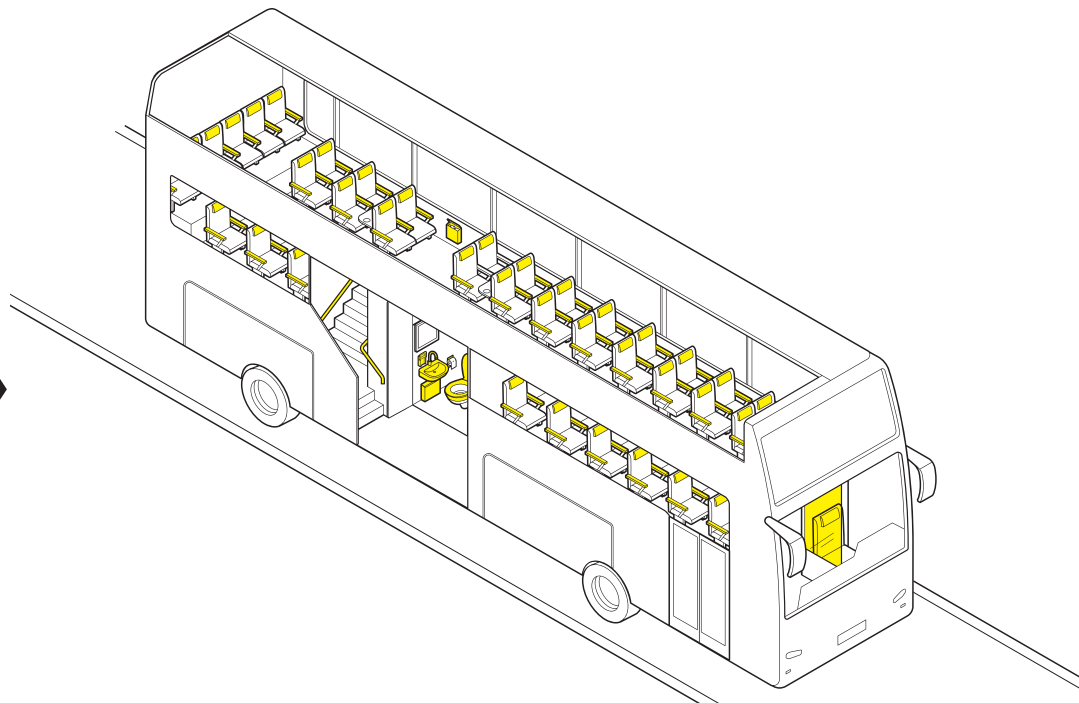


COACH: CRITICAL TOUCH POINT TREATMENT



KEY TOUCH POINTS

Focus on points that are touched frequently by several people throughout the day.



Tables



Handrails



Waste bins



Door handles



Door buttons



Arm rests of seats



Sneeze guard



Toilet seats



Dispensers (soap, paper towels, etc.)



Washroom handles (toilet flushes, taps)

PRODUCT REFERENCE

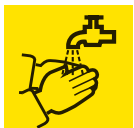


Microfibre



RM 735

Before cleaning

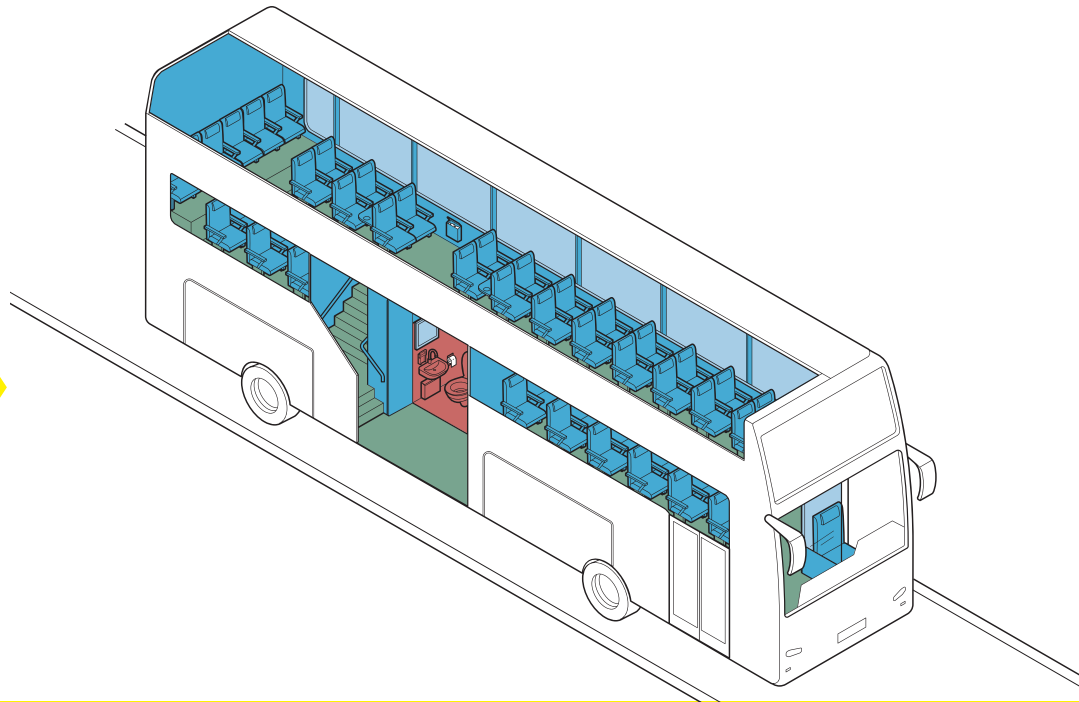


After cleaning



Read the product information sheet and the safety instructions before using detergents or machines.

COACH: HYGIENIC CLEANING



CLEANING SCOPE

Product recommendation and schedule for superior cleaning results.

Surfaces



Mon	Tue	Wed	Thu	Fri	Sat	Sun	as required

Surfaces



Mon	Tue	Wed	Thu	Fri	Sat	Sun	as required

Glass / mirrors / displays



Mon	Tue	Wed	Thu	Fri	Sat	Sun	as required

Carpet



Mon	Tue	Wed	Thu	Fri	Sat	Sun	as required

Before cleaning



After cleaning



Read the product information sheet and the safety instructions before using detergents or machines.