

High Pressure Gun HP-DG

The HP-DG is a high-pressure gun with a mechanical bypass valve for a maximum permissible operating pressure of 1,500 bar. The high-pressure gun is characterized by an ergonomically designed handle grip and a low weight. By default, each high-pressure gun is equipped with a hand guard and trigger lock. The handle grip is made of fiber-reinforced plastic and the pressure housing is made of forged steel.



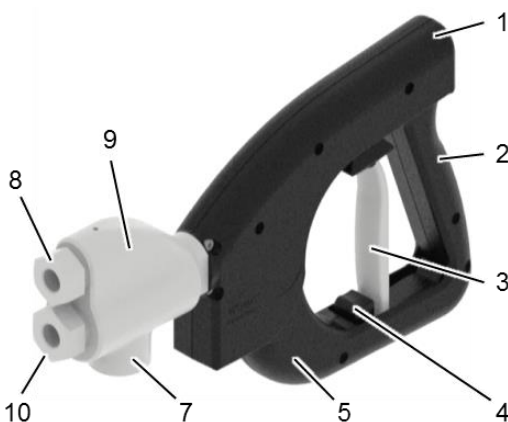
HP-DG

Special benefits

- Ergonomic design
- Low operating force
- High safety standard
- Rotatable handle for easy operation
- Handle made of impact resistant, largely chemically resistant fiber-reinforced plastic

Technical Data

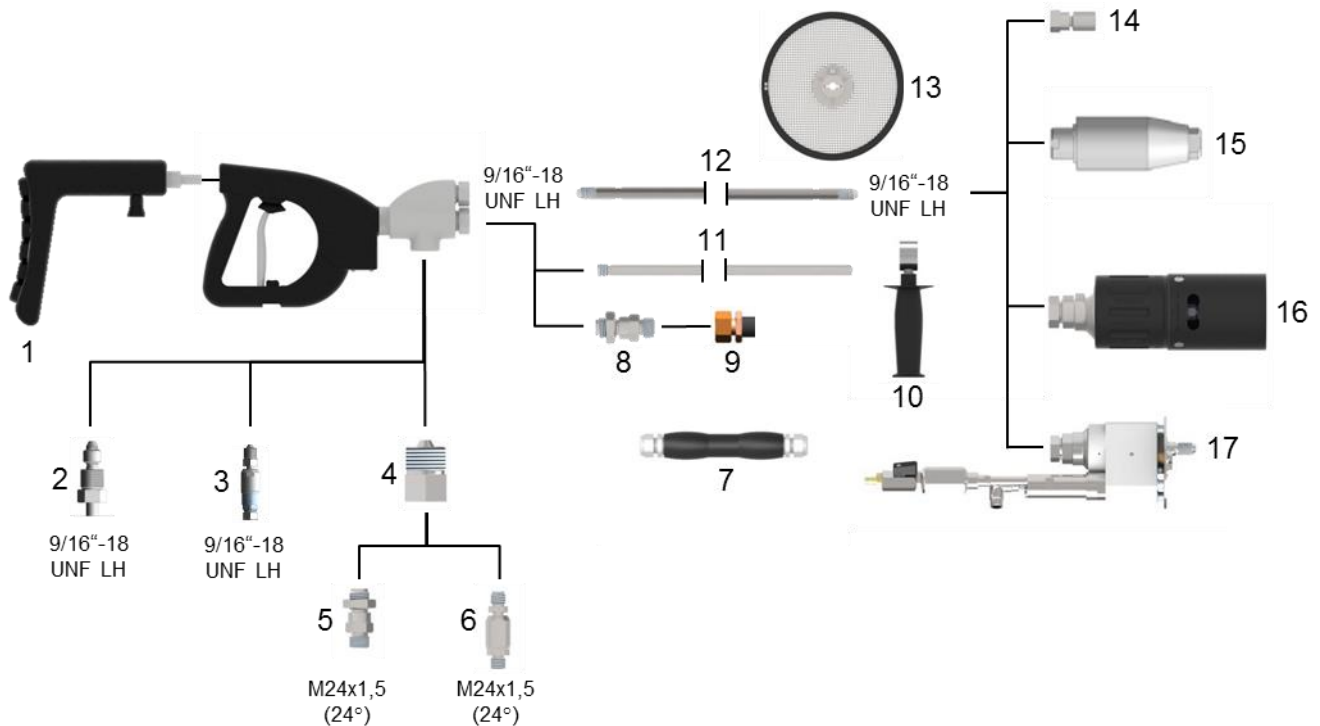
Material no.	9.918-187.0	
Control type	Mechanical-bypass	
Operating pressure	max.	1.500 bar
Flow rate	max.	45 l/min
Medium temperature	max.	95 °C
Length	approx.	340 mm
Height	approx.	200 mm
Width	approx.	50 mm
Weight	approx.	3.0 kg
High pressure connection (P)	1 1/8"-12 UNF	
High pressure connection (A)	9/16"-18 UNF-LH	
Bypass-Anschluss (R)	G 3/8"	



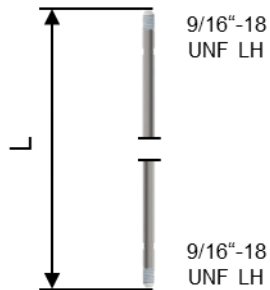
Overview

1	Attachment thread for body support
2	Handle grip
3	Trigger
4	Trigger lock
5	Hand guard
7	High pressure connection (P)
8	High pressure connection (A)
9	Pressure housing
10	Bypass connection (R)

Accessories

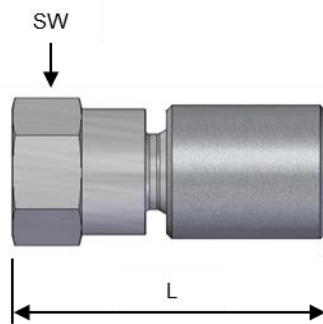


Sample configuration		
	Description	Material no.
1	Body support	9.918-752.0
2	Hose connector	9.872-023.0
3	Rotatable hose connector	9.872-640.0
4	Adapter	9.918-624.0
5	Hose connector	9.871-969.0
6	Rotatable hose connector	9.872-437.0
7	Handle grip (useful only with bypass hose)	6.025-300.0
8	Bypass hose connector	9.897-958.0
9	Bypass hose 1,500 mm	9.887-970.0
10	Handle grip	9.871-675.0
11	Bypass lance	9.918-623.0
12	Lance tube	see Table 1
13	Splash guard	9.871-040.0
14	Nozzle carrier	see Table 2
15	Orbimaster	see WOMA product catalogue
16	Turbo-Nozzle	
17	Speedy	



**Lance tubes,
max. operating pressure 1,500 bar – Table 1**

L [mm]	Weight [kg]	Material no.
500	0.43	9.891-182.0
750	0.64	9.891-183.0
1,000	0.85	9.891-184.0
1,500	1.30	9.891-207.0
2,000	1.69	9.891-185.0
3,000	2.53	9.891-186.0
4,000	3.37	9.891-187.0
5,000	4.21	9.891-188.0
6,000	5.05	9.891-189.0
7,000	5.89	9.891-383.0



Nozzle carrier – Table 2

Nozzle form**	p _{max} [bar]	L [mm]	SW	Material no.
4 / 19	1,500	59	24	9.872-008.0
1 / 8	3,000	60	22	9.873-090.0
21	3,000	50	27	9.878-291.0
Nozzle carrier with coherent beam formation				
4*	1,500	76	24	9.872-183.0

* Material no. for spare nozzle extension with flow insert: 9.884-038.0

** Form 1 / 4 / 21 = point jet nozzles;

Form 8 / 19 = flat jet nozzles