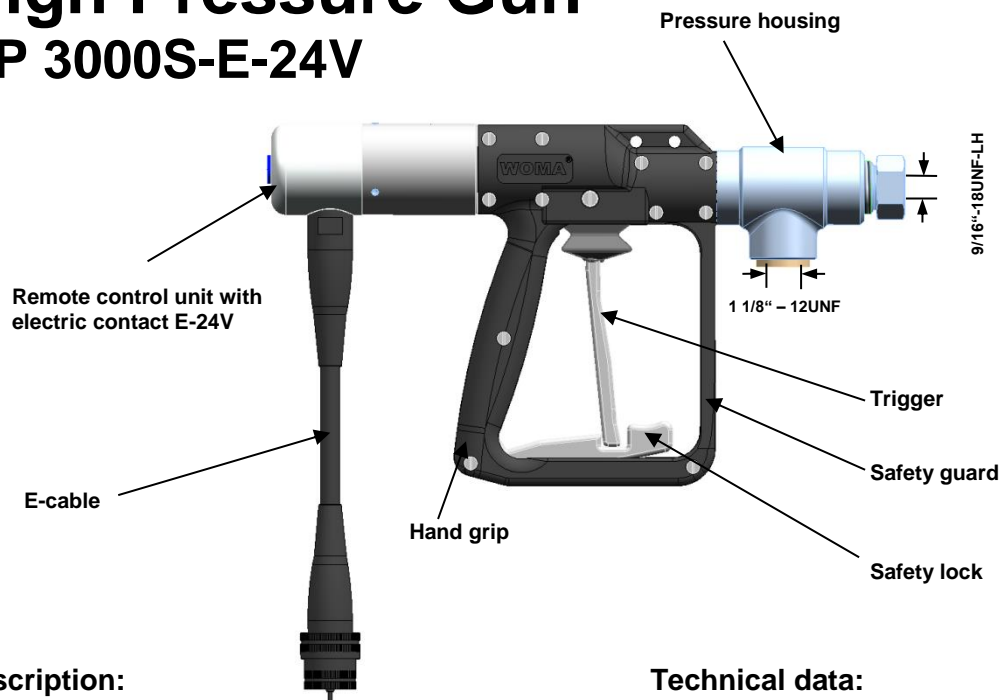


High Pressure Gun

HP 3000S-E-24V



Description:

The HP 3000S-E-24V is a high pressure jetting gun which incorporates a low voltage micro switch into its design without mechanical valve.

Via the micro switch the high-pressure operation of the unit can be switched on or off. This facilitates work and increases worker safety.

Standard equipment includes: A check valve, trigger safety guard and latching trigger lock to prevent unintentional use, forged steel pressure housing and light weight polymerized hand grip

Advantages:

High safety standard

Turnable hand grip

Fully encapsulated polymerized hand grip offers high tensile strength and excellent resistant to most chemicals.

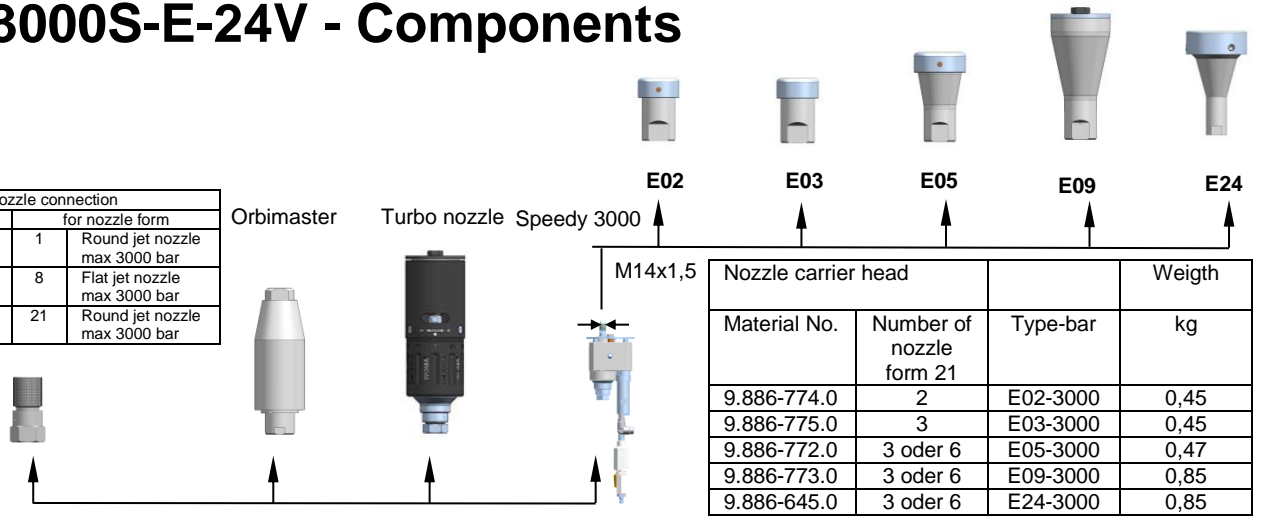
All functional parts are protected from dirt and water invasion.

Technical data:

Material-No.:	9.915-265.0
Operating pressure :	max. 3000 bar
Medium temperature:	max. +100°C
Recoil force perm. without body support:	max. 150 N
Recoil force perm. with body support:	max. 250 N
Weight:	approx. 2,1 kg
Length:	approx. 344 mm
Highth:	approx. 200 mm
Width:	approx. 50 mm

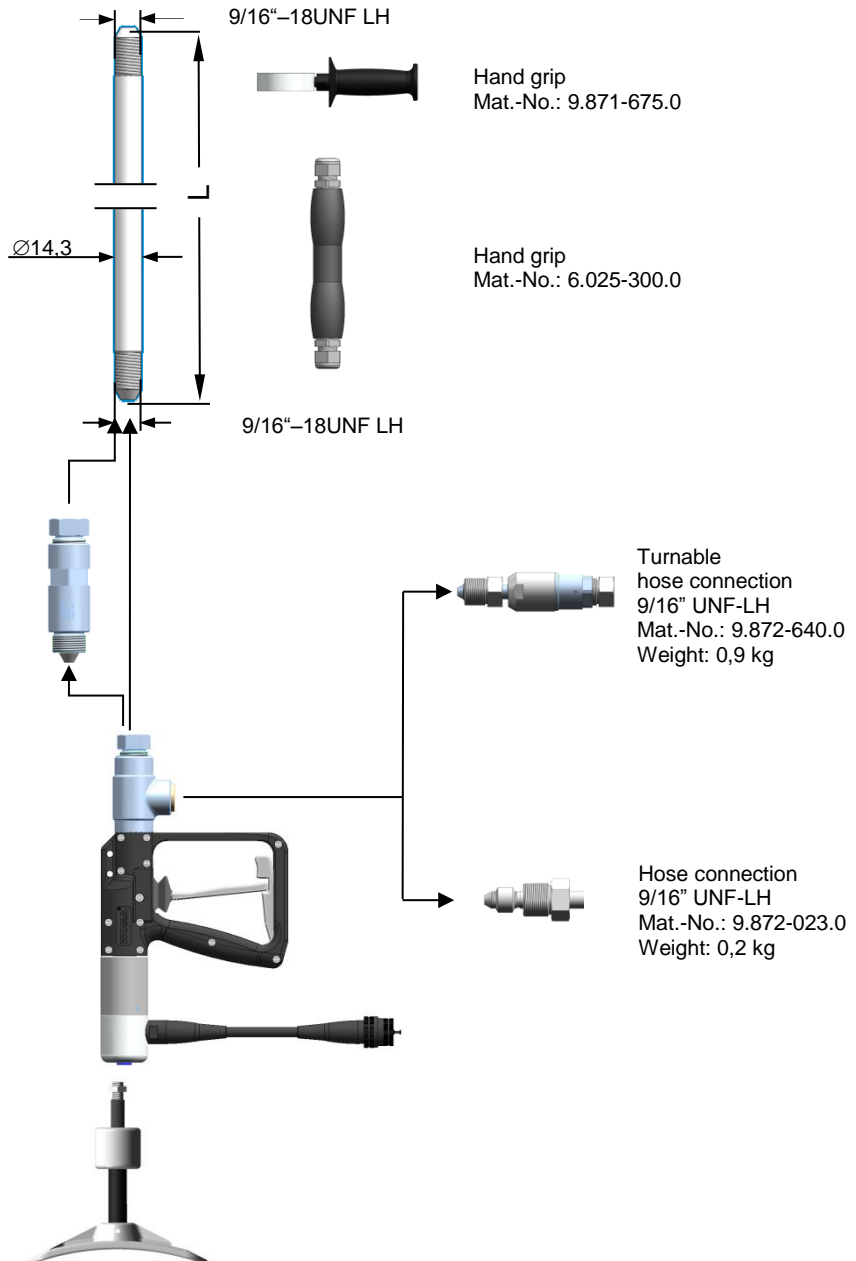
HP 3000S-E-24V - Components

Nozzle connection		
Material No.	for nozzle form	
9.873-090.0	1	Round jet nozzle max 3000 bar
9.873-090.0	8	Flat jet nozzle max 3000 bar
9.878-291.0	21	Round jet nozzle max 3000 bar



Nozzle carrier head			Weight
Material No.	Number of nozzle form 21	Type-bar	kg
9.886-774.0	2	E02-3000	0,45
9.886-775.0	3	E03-3000	0,45
9.886-772.0	3 oder 6	E05-3000	0,47
9.886-773.0	3 oder 6	E09-3000	0,85
9.886-645.0	3 oder 6	E24-3000	0,85

Nozzle pipe		
Material No.	L (mm)	Weight kg
9.891-225.0	300	0,34
9.891-226.0	500	0,55
9.891-227.0	800	0,87
9.891-228.0	1000	1,09
9.891-229.0	1500	1,64
9.891-230.0	2000	2,17
9.891-231.0	3000	3,24
9.891-232.0	4000	4,32
9.892-859.0	5000	5,40
9.892-860.0	6000	6,47



9/16"-18UNF LH

Hand grip
Mat.-No.: 9.871-675.0

Hand grip
Mat.-No.: 6.025-300.0

9/16"-18UNF LH

Check valve (optional)
RV3000-E.
Mat.-No.: 9.872-645.0
Wight: approx. 0,7 kg

Turnable hose connection
9/16" UNF-LH
Mat.-No.: 9.872-640.0
Weight: 0,9 kg

Gun housing cpl.
HP 3000S-E-24V
Mat.-No.: 9.915-265.0
Wight: approx. 2,1 kg

Hose connection
9/16" UNF-LH
Mat.-No.: 9.872-023.0
Weight: 0,2 kg

Body support
Mat.-No.: 6.025-301.0
Weight approx. 0,73 kg