

# KÄRCHER



# SIMPLY CLEANS

Uncomplicated, robust and reliable:  
our CW 1 Klean!Fit gantry car wash.

# A SMART DECISION

A good car wash needn't be rocket science. With our CW 1 Klean!Fit gantry car wash you'll see that with just the basics, you can still offer your customers a lot.



# YOU CAN ACHIEVE MORE

# LEVEL UP

In the vehicle cleaning sector, the decisive factor for success is productivity. When you increase your productivity, the direct consequence is that you also improve your operating result.

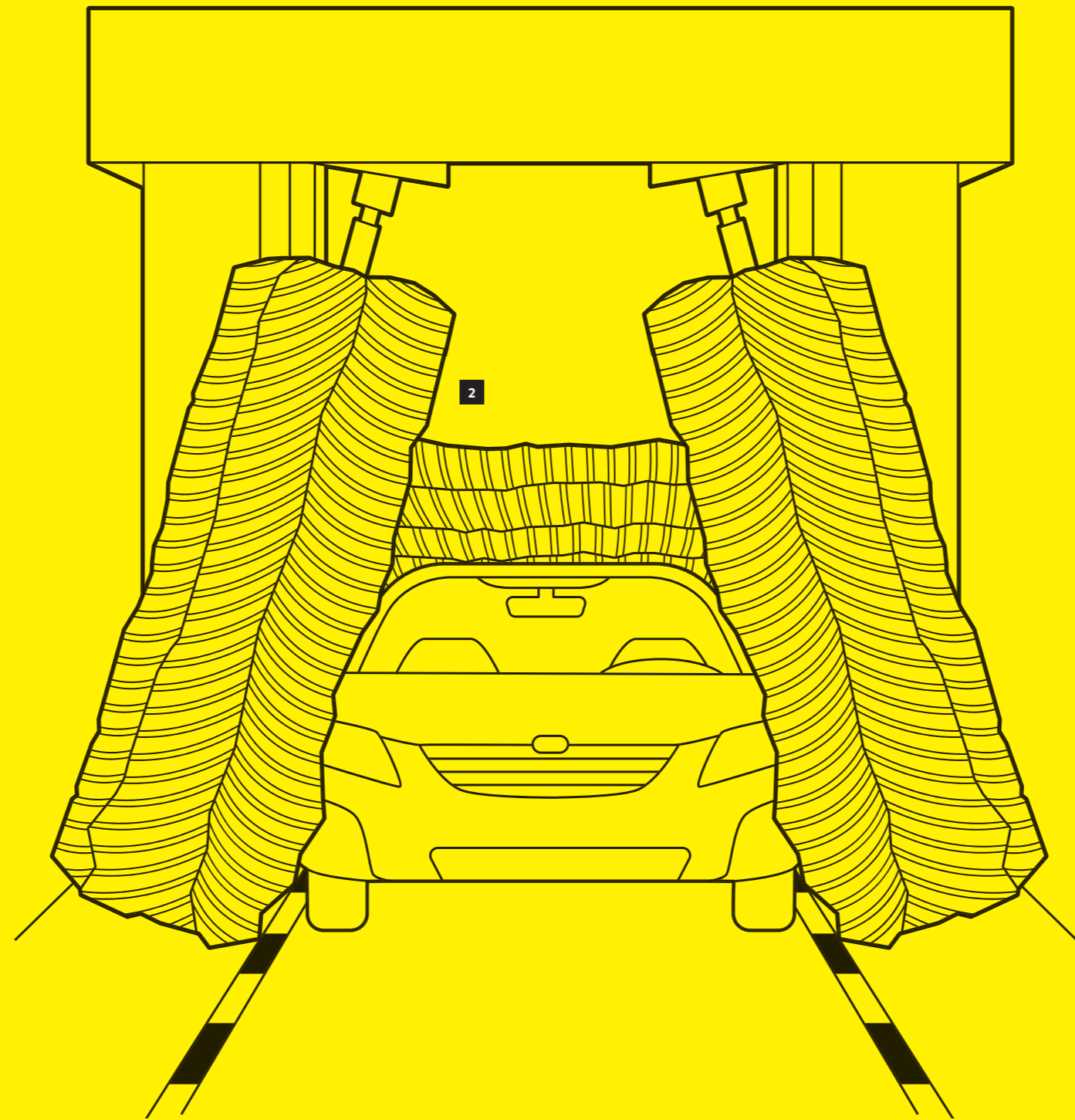
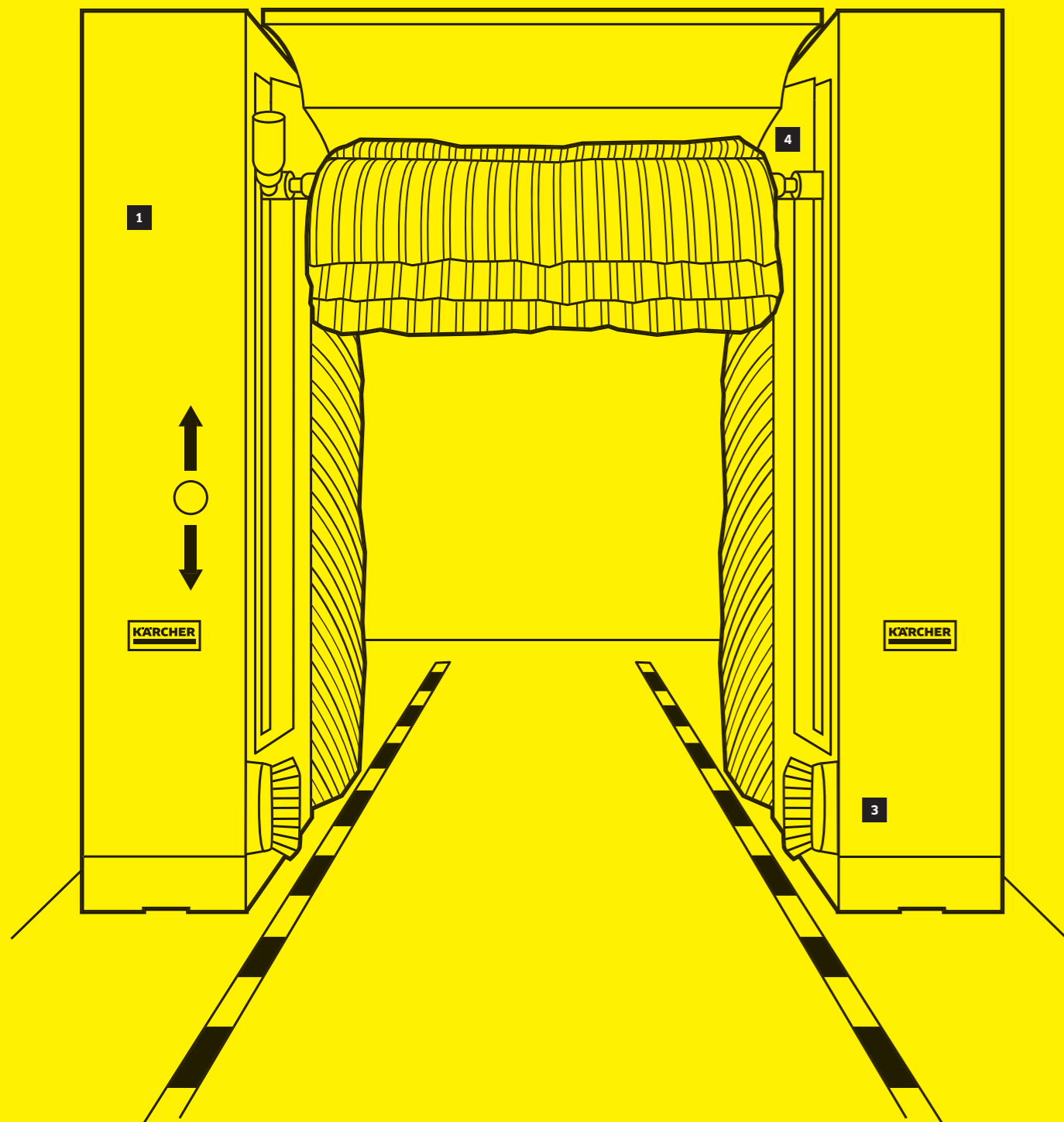
- **Consultation** Deciding on a vehicle cleaning system is more than just a decision in favour of a machine. We support you from site analysis to the marketing and communication concept to final installation. During this time, you can benefit from our international experience and extensive expertise.
- **A strong brand** We put the customer at the heart of all our thinking and action. Cleaning tasks should become easier, more comfortable and more efficient. Our aspiration: Kärcher makes a difference. In vehicle cleaning, we achieve this for you, above all, through innovative technology, sustainability and future-oriented services.
- **Machines and accessories** We are pioneers when it comes to high-pressure cleaning. Our systems are robust, powerful and economical. Our technology is sophisticated, reliable and proven. With our systems and versatile accessories, you are perfectly equipped for any task at all times.
- **Digital transformation** Digital applications are essential factors for success. We offer you innovative solutions with maximum cost-effectiveness and unparalleled comfort to increase customer satisfaction.
- **Cleaning agent** Effectiveness and productivity in vehicle cleaning are inextricably linked with the use of the correct cleaning agent. Only cleaning agents which are perfectly suited to system and customer requirements guarantee optimal results in the long term.
- **Financing** We offer you modern financing options in cooperation with well-known leasing partners with great flexibility and economy, to maintain liquidity and expand the scope for action of your business.
- **Service** Your system is installed and runs without a hitch. To ensure your system remains this way in the long term, we offer you ongoing support. Our service packages and Kärcher customer service and factory-trained service partners guarantee problem-free operation in the long term.
- **Sustainability and the environment** For many years, Kärcher has been the driving force for sustainability and environmental protection in cleaning technology. As a leading global provider of cleaning systems, we have the responsibility to develop durable products with which our customers can clean in a way that conserves energy and resources. They ensure not only maximum cleanliness but also value preservation. Without unnecessary harm to the environment.

## DO YOU WANT TO FIND OUT MORE?

Follow this link on our website. Here, you will find all the information about vehicle cleaning with Kärcher.



Our CW 1 Klean!Fit is just right when you simply need to “get the job done”. Solid wash results and a high throughput with a manageable investment and good use of space. The workhorse of gantry car washes.



# THE PERFECT BASIS

**1 Design.** The CW 1 Klean!Fit features sleek black metal doors as standard. As an optional extra, you can specify a bespoke colour scheme for your CW 1 Klean!Fit. The traffic light with green and amber arrows and a stop light can be installed on the left or right, as preferred. Decals indicating the wash phases are optional.

**The rear cover, in the same colour as the frame,** conceals the technical workings for a neat and tidy appearance. This is particularly important in drive-through halls or open-air sites.

**2 Roof and side brushes** feature the brush material CareTouch. This ensures a gentle but effective vehicle cleaning process. Contour detection in the side brushes also ensures optimum wash results. The roof brush splash guard above the roof brush protects the ceiling of the wash hall and the upper section of the system from the splash water produced by the rotating brushes.

**CareTouch** contoured brushes are made from a specially foamed polyethylene that is extra gentle in removing dirt from the vehicle surface. With the **CareTouch Hybrid** option, the lower side brushes are also equipped with PE. Alternatively, the entire system can be fitted with **PE**. No matter which brush material is used, we always recommend high-pressure pre-cleaning.

**3 Wheel washes.** The disc wheel washer cleans rims gently and effectively, removing stubborn dirt such as burnt-on brake dust. High-pressure cleaning is available as an option.

**4 Dryer.** A fixed roof dryer with optional swiveling lamella follows the contours of the vehicle for perfect drying results. The side dryers also do the same on the vehicle sides.

# VEHICLE WASH CAN BE SO EASY

EQUIPMENT

## EVERYTHING YOU NEED

The equipment of the CW 1 Klean!Fit speaks for itself.

**Everything a gantry car wash needs.** Focusing on the basics, without compromise. Your CW 1 Klean!Fit has it all. No need for any extras. But you can always add more if you do need it. So simple. And so individual.

**Contour detection.** In forwards mode, the side brushes are placed at an angle of up to 12° diagonal to the vehicle so that the upper area is detected and cleaned effectively. In reverse mode, the side brushes move vertically as needed in order to clean the sill area effectively.

**The side brush splash guard** protects the surfaces around the wash area from the splash water produced by the rotating brushes.

**Safety features.** Front and rear safety switches are mandatory, if the prescribed safety distance between the wall and the gantry car wash cannot be maintained. If the safety switches are activated, the system stops immediately. This provides reliable protection both to people and the equipment.



**High-pressure prewash.** Wheel high pressure as single high pressure optimises the pre-cleaning of the rims and the sill area. If you are looking for an even more efficient pre-clean of the side area and sill area, a combination of side high pressure and wheel high-pressure cleaning at 16 bar or 60 bar is the answer. As single high pressure, the wheel high pressure is also available with 70 bar onboard.

**Underbody wash.** The option for additional sales, because there is scarcely a customer who doesn't take advantage of the thorough removal of dirt from the underbody of their vehicle. An ideal optional extra for vehicle maintenance and vehicle value retention - not only during road-gritting season, but all year round.



# PROGRAMMED TO CLEAN AND CARE FOR VEHICLES

Tough on dirt. Gentle on vehicles.

## Ex-works programmes

**Shampoo** is a key factor when washing with brushes if you want powerful cleaning that removes stubborn dirt but also washes gently.

**Drying aid** quickly breaks up the water film and must be applied during the rinsing cycle for perfect drying results on the vehicle.

## Other programmes

**Active foam** is a powerful foam that removes stubborn dirt with ease for superior cleaning results.

**Wax** is applied after the rinsing cycle for a beautiful shine and long-lasting protection against the elements.

**Polish** produces a long-lasting shine and preserves the vehicle surface, protecting the vehicle from the elements for several months. Paintwork that has been well cared for this way helps to maintain the vehicle's value.





**SIMPLY  
CLEANS**



# FASCINATING TECHNOLOGY. INSPIRING PERFORMANCE.

Raw technical data may not tell you everything about the actual capabilities of a system. But they do show the potential of our CW 1 Klean!Fit.

- Efficiency, throughput, profitability.
- Use of up to five different cleaning agents, regardless of the chosen cleaning and care options.

#### CW 1 Klean!Fit

Wash height	m	2.30 / 2.60 / 2.90
-------------	---	--------------------

#### Technical data

Voltage	V	400
Frequency	Hz	50
Number of current phases	Ph	3
Drive-through width at mirror level	m	2.50



# GET MORE DONE

Numerous options open up virtually unlimited possibilities for more success.



**Start terminal**  
You issue a PIN or barcode. Your customer starts the system by entering the PIN code or by scanning the barcode at the terminal.

**Self-service vacuum cleaner**  
Our individually configurable SB VC self-service vacuum cleaner gives you maximum suction power, comfort, innovative design and additional sales.

**Mat Cleaner**  
Our Mat Cleaner cleans floor mats measuring up to 80 cm in width without water. This is 20 cm more than traditional mat cleaners manage.



**Air Tower**  
Here, your customers can check and adjust tyre pressure precisely up to 8 bar.

**Air Water Tower**  
The addition of a water dispenser to the Air Tower, to re-fill windscreen washer fluid or cooling water.

**Perfume Tower**  
Here, your customers neutralise unpleasant odours in the vehicle in an instant.

# DON'T JUST TALK



WRB Bio water reclamation system



WRP Car Wash water reclamation system

Take action. Everyone's talking about environmental protection and sustainability. This is your and our contribution.

**WRB Bio water reclamation system** Water treatment through natural processes using micro-organisms results in outstanding reclaim water quality and saves up to 98% fresh water. Thanks to this high process efficiency and degradation capacity of the bacteria, almost all the water can be reused. Other benefits for you include compact design and lower service costs.

**WRP Car Wash water reclamation system** With this system you save up to 85% fresh water. It recycles oil-free waste water economically and effectively without flocculation chemicals. You can reuse the recycled water for all wash programmes. This modular and flexible system gives you the optimal solution for almost every site.

# RESEARCHED. TESTED. SUCCESSFUL.

40 years of experience in chemicals development – our experts collaborate across disciplines in the research, development and testing of new cleaning agents and application methods. For the best result and safe application, the team have state-of-the-art laboratories and top research and testing facilities at their disposal.

**Through close collaboration with industrial customers and private users, our technologies are always setting new standards. Worldwide.**

**Top-level development** The new chemical laboratory is at the centre of the research and development of innovative cleaning and care agents. Our experts analyse every type of dirt on all surfaces so that they can be professionally removed, picked up and disposed of. Every product that is developed here for our industrial and private customers is created using holistic thinking from the very beginning, systematically and entirely at Kärcher.

**Sustainable right from the start** Meeting environmental standards is becoming increasingly important. This is why Kärcher places particular value on the sustainable selection of raw materials, the development and production process and the use of resource-conserving packaging solutions throughout the whole production chain.

**Made in Germany** Highest quality – Kärcher produces its own cleaning products in order to achieve consistently high quality, sustainable production and the best delivery capacity. In the highly flexible system, 0.5 litre-bottles and tankers with capacities of up to 20,000 litres can be filled promptly and very economically from 25,000-litre mixing drums.

**Perfect cleaning solution** Kärcher cleaning and care agents are just as versatile and powerful as the devices and machines in which they are used – because they are specially developed for use with Kärcher cleaning machines. The combination makes it possible: the effective interplay between machine and cleaning agent therefore guarantees optimal cleaning.



# GOODBYE DIRT. HELLO SHINE.



Brush Shampoo Classic  
RM 811



Active Foam Classic  
RM 812



Drying Aid Classic  
RM 829



Foam Polish  
RM 837



Hot Wax Classic  
RM 820

Perfect for the CW 1 Klean!Fit: our Classic cleaning agents

**VehiclePro Brush Shampoo Classic RM 811** is a powerful, wax-compatible brush shampoo that reliably removes grease, oils, emission dirt and insects. At the same time, it protects the vehicle surface by helping the brushes to glide smoothly over the vehicle.

**VehiclePro Active Foam Classic RM 812** is an ultra-powerful, high-lather active foam that loosens oils, grease and mineral dirt. At the same time, it protects the vehicle surface by helping the brushes to glide smoothly over the vehicle.

**VehiclePro Drying Aid Classic RM 829** effectively speeds up the drying process. It quickly breaks up the film of water over large areas for exceptional drying results.

**VehiclePro Foam Polish RM 837** is a wax offering long-lasting preservation and shine with added "repair effect" for your CW 1 Klean!Fit. It produces a perfect high-gloss finish and gives the paintwork effective protection against road dirt, acid rain, insects, road salt and other environmental factors.

**VehiclePro Hot Wax Classic RM 820.** This highly effective thermo wax forms a weather-resistant preservative layer that protects vehicles against corrosion. The high content of natural carnauba wax produces a dazzling shine.

# KÄRCHER

makes a difference

Please contact us for more information:

## Head Office Germany

Alfred Kärcher SE & Co. KG  
Alfred-Kärcher-Straße 28-40  
71364 Winnenden

Phone +49 7195-14-0  
Fax +49 7195-14-2212

[www.kaercher.com](http://www.kaercher.com)

## USA

Kärcher North America  
6398 N. Kärcher Way  
Aurora, CO 80019

Phone +1 800-444-7654  
Fax +1 866-271-0520

[www.karcherna.com](http://www.karcherna.com)

## Canada

Kärcher Canada Inc.  
275 Pendant Drive  
Mississauga, Ontario L5T 2W9

Phone +1 905-364-5006  
Fax +1 905-672-3155

[www.karcher.ca](http://www.karcher.ca)

## United Kingdom

Kärcher (UK) Ltd  
Kärcher House  
Brookhill Way  
Banbury  
Oxon OX16 3ED

Phone +44 1295-752-000  
Fax +44 1295-752-103

[www.karcher.co.uk](http://www.karcher.co.uk)

## Ireland

Kärcher Ltd (Ireland)  
Unit 3, Redcow Retail Centre  
Robinhood Road  
Ballymount, Dublin 22  
D22 PY03

Phone +353 1-409-7777  
Fax +353 1-409-7775

[www.karcher.ie](http://www.karcher.ie)

## South East Asia

Regional Head Office  
South East Asia

Kärcher South East Asia Pte Ltd  
3 Depot Close #05-01  
Singapore 109840

Phone +65 6897-1811  
Fax +65 6897-1611

[www.karcher.com.sg](http://www.karcher.com.sg)

## Hong Kong

Kärcher Limited  
Unit 01, 22/F, Westley Square  
48 Hoi Yuen Road  
Kwun Tong, Kowloon

Phone +852 2-357-5863  
Fax +852 2-357-5632

[www.karcher.com.hk](http://www.karcher.com.hk)

## Australia

Kärcher Pty Ltd  
385 Ferntree Gully Road  
Mount Waverley  
Victoria, AU 3149

Phone 1800 675-714  
(Free Call)

[www.karcher.com.au](http://www.karcher.com.au)

## New Zealand

Kärcher Ltd  
66 Allens Road  
East Tamaki  
Auckland 2013

Phone +64 9-274-4603  
Fax +64 9-274-6932

[www.karcher.co.nz](http://www.karcher.co.nz)

## North Africa

Kärcher SARL  
Immeuble Yasmine Tower  
Bloc A 6ème étage, bureau A 6.6  
Centre Urbain Nord  
1082 Tunis  
Tunisia

Phone +216 36339020

[info@tn.kaercher.com](mailto:info@tn.kaercher.com)

[www.kaercher.tn](http://www.kaercher.tn)

## East Africa

Kärcher Limited  
Regus Fortis Office Park  
P. O. Box 66488-00800  
Block C, Ground floor  
Muthangari Drive  
Westlands, Nairobi  
Kenya

Phone +254 205148145

[info@ke.kaercher.com](mailto:info@ke.kaercher.com)

[www.kaercher.com/ke](http://www.kaercher.com/ke)

## South Africa

Kärcher (Pty) Ltd  
Cnr Mount Joy &  
George Allen Rd  
Wilbart Ext. 2  
PO Box 11818  
Vorna Valley, 1686

Phone +27 11-657-7300  
Fax +27 11-657-7440

[www.karcher.co.za](http://www.karcher.co.za)

## Middle East

Kärcher FZE  
Quality Cleaning Systems  
Jebel Ali Free Zone  
Plot No. S-10104 South Zone  
RA 08, XB 1, Jebel Ali  
Dubai

Phone +971 4-886-1177

Fax +971 4-886-1575

[customercare@ae.kaercher.com](mailto:customercare@ae.kaercher.com)

[www.karcher.ae](http://www.karcher.ae)

## Qatar

Kärcher LLC  
Office No 133, Regus Building  
D Ring Road  
PO Box 35176

Phone +974 4-423-1319

[customercare@ae.kaercher.com](mailto:customercare@ae.kaercher.com)

[www.kaercher.ae](http://www.kaercher.ae)

## Caribbean

Kärcher S.R.L.  
Calle 5ta, esq. Calle 18, Nave 1  
Villa Aura  
Santo Domingo Oeste  
Dominican Republic

Phone +1 809-379-3700  
Fax +1 809-379-3777

[info@do.kaercher.com](mailto:info@do.kaercher.com)

[www.kaercher.com/do](http://www.kaercher.com/do)