

Höchstdruckschlauch

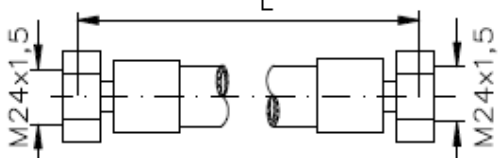

Very high pressure hose

DN 12 – HST4G – LR2

| | | | | |
|----------------------|---|------|-----------------|---|
| Betriebsdruck | : | max. | 750 bar | Aufbau : |
| Operating pressure | : | max. | 10880 psi | Schlauchseele aus synthetischem Gummi |
| Prüfdruck | : | | 1125 bar | Druckträger aus vier Draht-Spirallagen. |
| Test pressure | : | | 1320 psi | Oberdecke aus synthetischem Gummi |
| | | | | Temperaturbereich: -10°C bis +70°C |

Verwendung für : alle WOMA Produkte
To use for : all WOMA products

Construction :
Synthetic rubber inner tube
4 spiralwire reinforcement
Synthetic rubber cover
Operating temperature range: -10°C to +70°C

| Schlauchleitungen Hose tubes | | | | Schlauchmeterware Hose per metre | | | | | |
|---|-------------------------|--------------|--|--|---------------|---------------|------------------|----------------|---------------------------|
|  | | | |  | | | | | |
| Material-Nr. | Nennlänge | Gewicht | Einbindung mit Armaturen | Material-Nr. | Innen-φ | Außen-φ | Biegeradius | Gewicht | max. Lieferlänge |
| Material-No. | Nominal length L = m | Weight kg | Equipped with fittings Werkstoff/Material | Material-No. | Inner-Ø mm | Outer-Ø mm | Bendradius mm | Weight kg/m | max. delivery length m |
| 9.916-058.0 | 1,0 | 1,4 | Stahl/Steel | 9.887-485.0 | 12,0 | 23,0 | 220 | 0,82 | 40 * |
| 9.915-674.0 9.915-675.0 | 10 | 8,8 | Stahl / Steel NIRO/SS | | | | | | |
| 9.915-676.0 9.915-677.0 | 20 | 17,0 | Stahl / Steel NIRO/SS | | | | | | |
| 9.915-678.0 9.915-679.0 | 40 | 33,4 | Stahl / Steel NIRO/SS | | | | | | |

Gewinde M nach DIN 13 / ISO 261; thread M as per DIN 13 / ISO 261

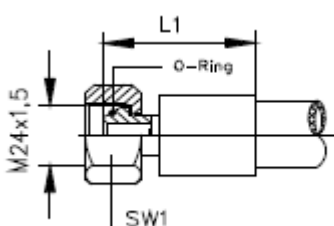
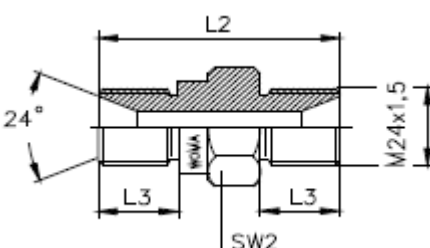
NIRO = nichtrostender Stahl, SS = Stainless Steel

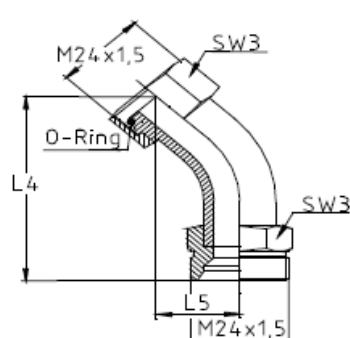
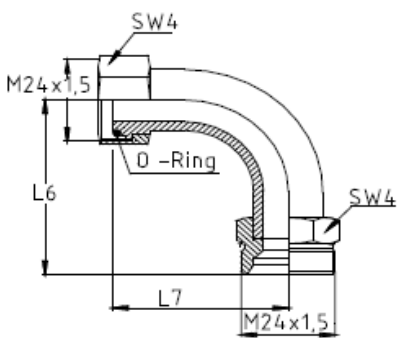
- * Lieferlänge über 40m bis max. 100m auf Anfrage
- * Delivery length more than 40m up to 100m on request

Schlaucharmaturen und Zubehör

Hose fittings and accessories

DN 12 – HST4G – LR2

| Überwurfarmatur Swivel fitting | | | | | Schlauchverbinder Hose connector | | | | |
|---|-----------------------|-----------|----------------------------------|--|--|-----------|-----------|------------|-----------------------|
|  | | | | |  | | | | |
| Material-Nr. Material-No. | Werkstoff Material | L 1 mm | SW 1 Width across flats mm | O-Ring Material-Nr. Material-No. | Material-Nr. Material-No. | L 2 mm | L 3 mm | SW 2 mm | Werkstoff Material |
| 9.915-680.0 | Stahl / Steel | 110 | 30 | 6.025-315.0 | 9.877-911.0 | 65 | 20 | 32 | NIRO / SS |
| 9.915-681.0 | NIRO/SS | | | | | | | | |

| 45° Rohrkrümmer 45° Elbow | | | | | | 90° Rohrkrümmer 90° Elbow | | | | | |
|---|-----------------------|-----------|-----------|------------|--|--|-----------------------|-----------|-----------|------------|--|
|  | | | | | |  | | | | | |
| Material-Nr. Material-No. | Werkstoff Material | L 4 mm | L 5 mm | SW 3 mm | O-Ring Material-Nr. Material-No. | Material-Nr. Material-No. | Werkstoff Material | L 6 mm | L 7 mm | SW 4 mm | O-Ring Material-Nr. Material-No. |
| 9.887-325.0 | Stahl / Steel | 100 | 43 | 30 | 9.882-191.0 | 9.887-324.0 | Stahl / Steel | 77 | 76 | 30 | 9.882-191.0 |
| | | | | | | 9.888-507.0 | NIRO / SS | 96 | 64 | 30 | 6.025-315.0 |

Gewinde M nach DIN 13 / ISO 261; thread M as per DIN 13 / ISO 261

NIRO = nichtrostender Stahl, SS = Stainless Steel