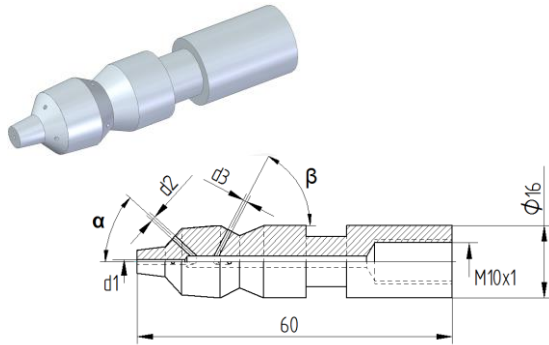


Pipe cleaning nozzle

Form 25

Pipe cleaning nozzle “form 25” can be used with hoses and lances, for example.



Technical Data	
Operating pressure	max. 1000 bar
Thread	M10 x 1
Diameter	16 mm
Weight	0.06 kg

Material number of the O-ring: 9.881-958.0
(O-ring must be ordered separately)

Variants							
Flow [l/min]	d1 [mm]	d2 [mm]	d3 [mm]	α [°]	β [°]	Spanner size [mm]	Material number
49	1 x 0.8	3 x 0.6	3 x 0.8	30	45	12	9.886-239.0
64	1 x 0.6	3 x 0.6	4 x 0.7	60	60	12	9.886-240.0
90	1 x 1.0	3 x 0.9	3 x 1.0	30	45	12	9.910-873.0
109	1 x 1.0	3 x 1.0	4 x 1.0	30	45	12	9.886-238.0
122	1 x 1.0	3 x 0.8	4 x 1.2	30	45	12	9.886-241.0

For hoses for pipe cleaning applications, see product sheet for pipe cleaning hoses.