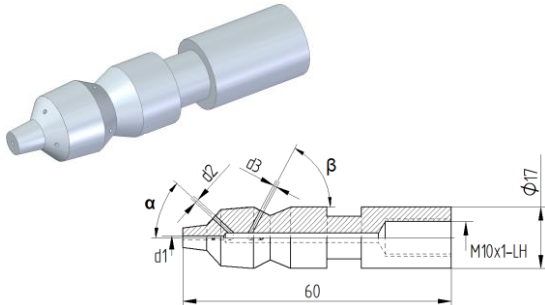


# Pipe cleaning nozzle

## Form 26

Pipe cleaning nozzle “form 26” can be used with hoses and lances, for example.



| Technical Data     |               |
|--------------------|---------------|
| Operating pressure | max. 1400 bar |
| Thread             | M10 x 1-LH    |
| Diameter           | 17 mm         |
| Weight             | 0,06 kg       |

Material number of the O-ring: 9.881-958.0  
(O-ring must be ordered separately)

| Variants     |         |         |         |              |             |         |                 |
|--------------|---------|---------|---------|--------------|-------------|---------|-----------------|
| Flow [l/min] | d1 [mm] | d2 [mm] | d3 [mm] | $\alpha$ [°] | $\beta$ [°] | SW [mm] | Material number |
| 59           | 1 x 0,8 | 3 x 0,6 | 3 x 0,8 | 30           | 45          | 12      | 9.886-242.0     |
| 75           | 1 x 0,6 | 3 x 0,6 | 4 x 0,7 | 60           | 60          | 12      | 9.886-243.0     |
| 109          | 1 x 1,0 | 3 x 0,9 | 3 x 1,0 | 30           | 45          | 12      | 9.910-874.0     |
| 124          | 1 x 1,0 | 3 x 1,0 | 4 x 1,0 | 30           | 45          | 12      | 9.886-244.0     |

For hoses for pipe cleaning applications, see product sheet for pipe cleaning hoses.