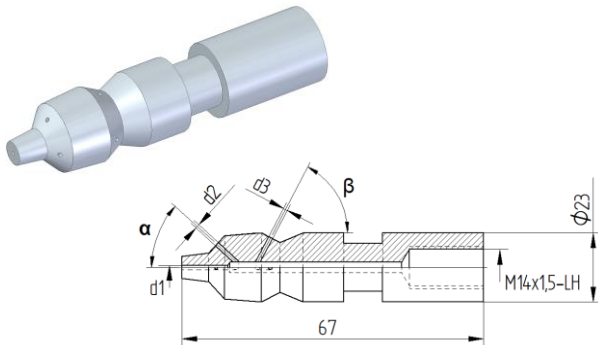


# Pipe cleaning nozzle

## Form 27

Pipe cleaning nozzle “form 27” can be used with hoses and lances, for example.



Technical Data	
Operating pressure	max. 1400 bar
Thread	M14 x 1,5-LH
Diameter	23 mm
Weight	0,15 kg

Material number of the O-ring: 9.881-962.0  
(O-ring must be ordered separately)

Variants							
Flow [l/min]	d1 [mm]	d2 [mm]	$\alpha$ [°]	SW [mm]	d3 [mm]	$\beta$ [°]	Material number
19	1 x 0,55	3 x 0,3	85	19	3 x 0,3	85	9.886-248.0
58	1 x 0,80	3 x 0,6	30	19	3 x 0,8	45	9.886-245.0
142	1 x 1,00	3 x 0,8	30	19	4 x 1,2	45	9.886-247.0

For hoses for pipe cleaning applications, see product sheet for pipe cleaning hoses.