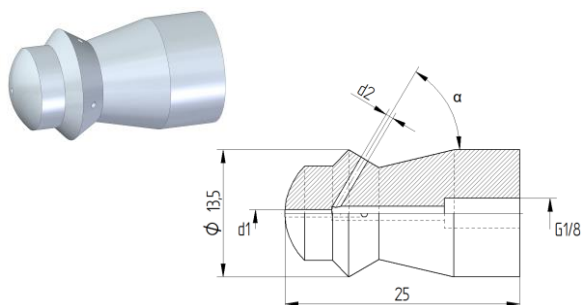


Pipe cleaning nozzle

Form 33

Pipe cleaning nozzle “form 33” can be used with hoses and lances, for example.



Technical Data	
Operating pressure	max. 750 bar
Thread	G1/8
Diameter	13,5 mm
Weight	0,035 kg

Material number of the O-ring: 9.882-044.0
(O-ring must be ordered separately)

Variants				
Flow [l/min]	d1 [mm]	d2 [mm]	α [°]	Material number
29	/	4 x 0,75	45	9.910-879.0
37	/	4 x 1,00	45	9.886-300.0
40	1,2	3 x 1,00	30	9.886-301.0
43	/	2 x 1,50	45	9.910-878.0
55	/	2 x 1,70	85	9.886-302.0
64	/	6 x 1,00	45	9.886-303.0
64	/	6 x 1,00	60	9.886-304.0
64	/	8 x 0,90	45	9.886-305.0
64	/	8 x 0,90	60	9.886-306.0
65	/	4 x 1,30	45	9.886-307.0
70	1,0	4 x 1,30	45	9.886-308.0
73	/	2 x 2,00	45	9.886-309.0
79	1,0	6 x 1,00	45	9.886-310.0
90	/	6 x 1,30	45	9.886-311.0
90	1,0	4 x 1,50	45	9.886-312.0
103	1,0	6 x 1,30	45	9.886-313.0
128	1,0	8 x 1,30	45	9.886-314.0

For hoses for pipe cleaning applications, see product sheet for pipe cleaning hoses.