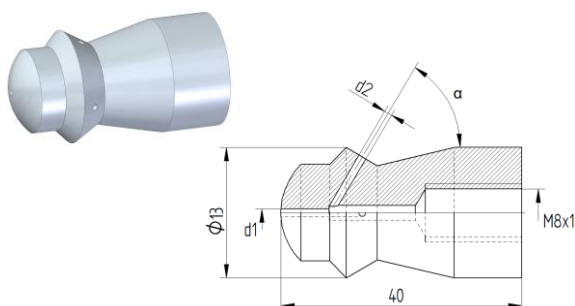


Pipe cleaning nozzle

Form 35

Pipe cleaning nozzle “form 35” can be used with hoses and lances, for example.



Technical Data	
Operating pressure	max. 1000 bar
Thread	M8 x 1
Diameter	13 mm
Weight	0,035 kg

Material number of the O-ring: 9.881-978.0
(O-ring must be ordered separately)

Variants					
Flow [l/min]	d1 [mm]	d2 [mm]	α [°]	SW [mm]	Material number
30	0,7	3 x 0,8	60	10	9.886-344.0
44	1,1	3 x 0,8	30	10	9.886-346.0
44	/	4 x 0,9	45	10	9.886-345.0
55	/	2 x 1,4	85	10	9.886-347.0
65	/	4 x 1,1	45	10	9.886-349.0
68	/	8 x 0,8	60	10	9.886-348.0
80	1,0	4 x 1,1	45	10	9.886-350.0
101	0,8	4 x 1,3	45	10	9.910-887.0
110	1,0	6 x 1,1	45	10	9.886-351.0

For hoses for pipe cleaning applications, see product sheet for pipe cleaning hoses.