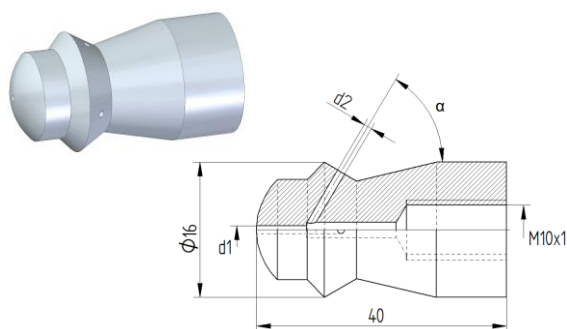


# Pipe cleaning nozzle

## Form 36

Pipe cleaning nozzle “form 36” can be used with hoses and lances, for example.



Technical Data	
Operating pressure	max. 1000 bar
Thread	M10x1
Diameter	16 mm
Weight	0,04 kg

Material number of the O-ring: 9.881-958.0  
(O-ring must be ordered separately)

Variants					
Flow [l/min]	d1 [mm]	d2 [mm]	α [°]	SW [mm]	Material number
33	0,7	3 x 0,8	60	12	9.886-353.0
46	/	4 x 0,9	45	12	9.886-354.0
48	/	3 x 1,1	60	12	9.886-352.0
61	1,0	2 x 1,3	45	12	9.886-356.0
61	1,1	4 x 0,9	30	12	9.886-355.0
71	/	2 x 1,6	85	12	9.910-888.0
81	/	4 x 1,2	45	12	9.886-357.0
85	/	6 x 1,0	45	12	9.899-639.0
85	/	6 x 1,0	60	12	9.899-640.0
90	/	8 x 0,9	45	12	9.886-358.0
90	/	8 x 0,9	60	12	9.899-641.0
95	0,9	4 x 1,2	45	12	9.886-359.0
100	/	2 x 1,9	85	12	9.886-360.0
109	1,0	4 x 1,3	45	12	9.910-889.0
121	1,0	6 x 1,1	45	12	9.910-890.0

For hoses for pipe cleaning applications, see product sheet for pipe cleaning hoses.