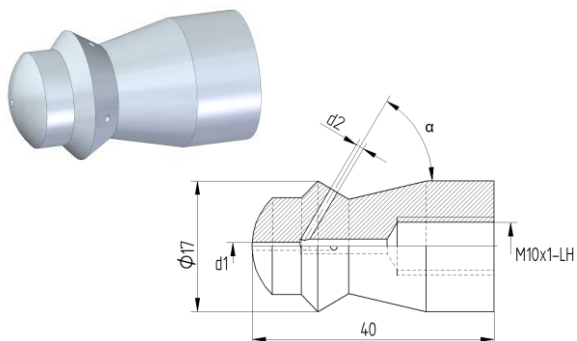


Pipe cleaning nozzle

Form 37

Pipe cleaning nozzle “form 37” can be used with hoses and lances, for example.



Technical Data	
Operating pressure	max. 1400 bar
Thread	M10 x 1-LH
Diameter	17 mm
Weight	0,04 kg

Material number of the O-ring: 9.881-958.0
(O-ring must be ordered separately)

Variants					
Flow [l/min]	d1 [mm]	d2 [mm]	α [°]	SW [mm]	Material number
33	0,60	3 x 0,70	60	12	9.886-361.0
39	/	4 x 0,80	45	12	9.886-362.0
39	/	3 x 0,90	60	12	9.886-363.0
46	/	4 x 0,85	60	12	9.886-367.0
55	0,90	2 x 1,10	45	12	9.886-364.0
59	0,85	3 x 0,85	45	12	9.886-368.0
59	0,90	4 x 0,80	30	12	9.886-365.0
64	/	2 x 1,40	85	12	9.886-366.0
95	0,80	4 x 1,10	45	12	9.910-892.0
116	0,90	6 x 1,00	45	12	9.910-893.0
143	0,80	8 x 1,00	45	12	9.910-894.0

For hoses for pipe cleaning applications, see product sheet for pipe cleaning hoses.