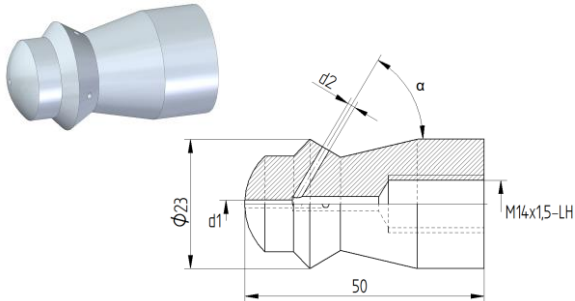


Pipe cleaning nozzle

Form 38

Pipe cleaning nozzle “form 38” can be used with hoses and lances, for example.



Technical Data	
Operating pressure	max. 1400 bar
Thread	M14 x 1,5-LH
Diameter	23 mm
Weight	0,06 kg

Material number of the O-ring: 9.881-962.0
(O-ring must be ordered separately)

Variants					
Flow [l/min]	d1 [mm]	d2 [mm]	α [°]	SW [mm]	Material number
39	/	4 x 0,80	45	19	9.886-369.0
95	/	2 x 1,70	85	19	9.886-374.0
116	0,9	6 x 1,00	45	19	9.886-375.0
145	0,8	8 x 1,00	45	19	9.910-895.0

For hoses for pipe cleaning applications, see product sheet for pipe cleaning hoses.