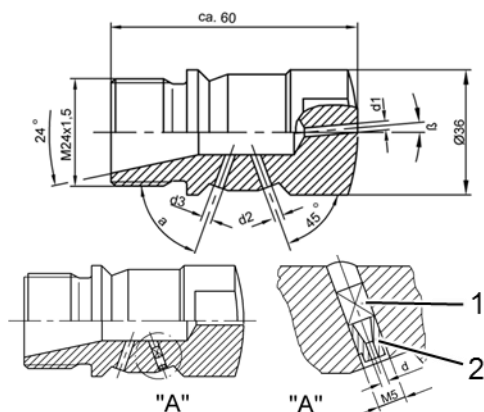


Pipe cleaning nozzle

Form 73

The pipe cleaning nozzle »Form 73« can be used in the WOMA TubeMaster.



Technical data		
Operating pressure	max.	1,400 bar
Thread		M24 x 1.5 to ISO 261
Weight	approx.	0.350 kg
1 flow insert		See PDS nozzle F98
2 nozzles		See PDS nozzle F98

Variants								
Material number	β	Number of nozzles in form 98						α
		1	1	1	1	2	4	
		d1 [mm]	d2 [mm]	d3 [mm]				
9.886-517.0	-	-	-	-	-	-	0.65	85°
9.886-509.0	-	-	-	1.3	-	0.9	-	85°
9.910-928.0	-	-	-	1.3	-	1.2	-	85°
9.886-513.0	5°	1.0	1.2	1.3	1.4	-	-	70°
9.910-689.0	-	-	-	1.4	-	1.5	-	85°
9.910-929.0	0°	1.0	-	1.6	1.7	-	-	65°
9.886-510.0	0°	1.6	-	1.8	2.1	-	-	65°
9.886-511.0	-	-	1.9	2.0	2.2	-	-	70°
9.886-512.0	0°	1.8	-	2.1	2.3	-	-	65°
9.886-514.0	5°	1.0	-	2.0	2.2	-	-	70°

Variants													
Material number	Operating pressure [bar]												
	200	300	400	500	600	700	800	900	1000	1100	1200	1300	1400
	Nozzle throughput [l/min]												
9.886-517.0	14	18	20	23	25	27	29	30	32	34	35	37	38
9.886-509.0	28	34	40	44	49	53	56	60	63	66	69	72	74
9.910-928.0	39	47	55	61	67	73	78	82	87	91	95	99	103
9.886-513.0	52	63	73	82	89	97	103	110	116	121	127	132	137
9.910-689.0	55	67	77	87	95	103	110	116	123	129	134	140	145
9.910-929.0	55	67	77	87	95	102	109	116	122	128	134	139	145
9.886-510.0	87	106	122	137	150	162	173	184	194	203	212	221	229
9.886-511.0	106	129	149	167	183	198	211	224	236	248	259	269	279
9.886-512.0	110	134	155	174	190	205	220	233	245	257	269	280	290
9.886-514.0	114	140	161	180	198	213	228	242	255	268	279	291	302