

# KÄRCHER



## SHINY ON THE MOVE

Show the world how clean you are working

PROFESSIONAL | VEHICLE CLEANING



# THIS IS HOW IT WORKS



## YOUR ADVANTAGES:

- 1 Technology**  
Reliable, flexible and low-maintenance technology; we work closely with operators and continually adjust our systems to meet current market needs.
- 2 Modularity**  
High flexibility when selecting equipment components allows you a variety of options for individually configuring your wash system.
- 3 Made in Germany**  
We develop and produce our technology in Germany.
- 4 The brand Kärcher**  
We are a family company operating world-wide, and a market leader in cleaning technology. Our technology, innovation, and services guarantee you a sustainable investment.
- 5 The Kärcher System**  
We are your competent, powerful and reliable partner. As a system provider, we offer you everything from a single source - from the idea to implementation and on to system operation. We provide perfectly matched components and cleaning concepts to fit the market.



For cleaning commercial vehicles, you need systems with a clean bill of health. We provide perfectly matched system solutions that can rise to any challenge, so you can clean trucks and buses of every size. The effect is immediately visible, and the systems are economically efficient.

### Contents

|    |                   |    |                        |
|----|-------------------|----|------------------------|
| 4  | Target groups     | 16 | Water reclamation      |
| 6  | Wash process      | 17 | Cleaning agents        |
| 8  | TB                | 18 | Application examples   |
| 10 | Equipment options | 20 | Tank interior cleaning |
| 12 | Manual prewash    | 22 | Kärcher Services       |
| 14 | RBS               |    |                        |



# YOUR DECISION IS THE RIGHT DECISION

We have the right solution for everyone. For forwarding agencies, bus companies, municipalities and professional cleaners – and for you. Deciding to purchase a Kärcher system solution is a decision to purchase a system you can always rely on – and that has been true for over 80 years.



## **Flexibility for forwarding agencies**

Forwarding agencies usually have vehicle fleets consisting of different types of commercial vehicles, each of which places different demands on vehicle cleaning. With our solutions, you can clean every type of vehicle perfectly.

## **A time-saving concept for bus companies**

Time and a clean appearance are important for every bus company. Our high-performance commercial vehicle wash systems clean buses quickly and effectively. You will save time, and your buses will always be clean.

## **Cost efficiency for municipalities**

For municipalities, what matters most in commercial vehicle cleaning is cost efficiency. Our perfectly balanced cleaning systems are affordable, cost-efficient and profitable in the long term.

## **Versatility for wash centres**

In wash centres, wash systems must be highly versatile to cope with various cleaning activities. The diverse range of vehicle types requires the highest levels of flexibility. A perfectly balanced Kärcher system ensures smooth processing and meets all requirements.



# CLEAN RESULTS ARE ALWAYS IMPRESSIVE



When the cleaning results are perfect, you know that you have won the day. Every day. Using our wash programmes and specially formulated cleaning agents, perfect cleanliness is no longer a roll of the dice.

#### Vehicle positioning

The vehicle to be cleaned is directed to the start position using a guide or traffic light.

#### Perfect prewash

The shampoo is applied by the commercial vehicle wash during the mechanical prewash. Stubborn dirt in hard to reach places is removed quickly, simply, and economically during a manual prewash. For mineral deposits such as plaster, limescale, mortar, and concrete, we recommend the VehiclePro Truck Cleaner, acidic RM 804. For all other types of dirt, use the VehiclePro Truck Cleaner, alkaline RM 805.

#### Individual programme selection

The correct programme for the appropriate vehicle can be selected quickly and easily via a large, durable and easy-to-use operation panel.

#### Effective brush wash

Once pre-cleaning is complete, any remaining dirt is removed quickly and efficiently using a brush wash and our VehiclePro Brush Shampoo RM 811.

#### Convenient notes and payment

You have a variety of options for billing the vehicle wash. Options range from classical handwritten driver lists to card readers and scanners and right through to cash payment.







# TB: WELLNESS PROGRAMME FOR LORRIES

Our TB is your commercial vehicle wash for large jobs. Experience professional efficiency every day.

We are proud of our innovative TB. After all, we created it to be reliable, efficient and flexible. We have combined durable, low-maintenance technology, unlimited modularity, and easy operation in one unique system. The simple, quick access to all important components, such as dosing pumps, cleaning agent canisters and control units makes daily operation incomparably simple.

### Unlimited modularity

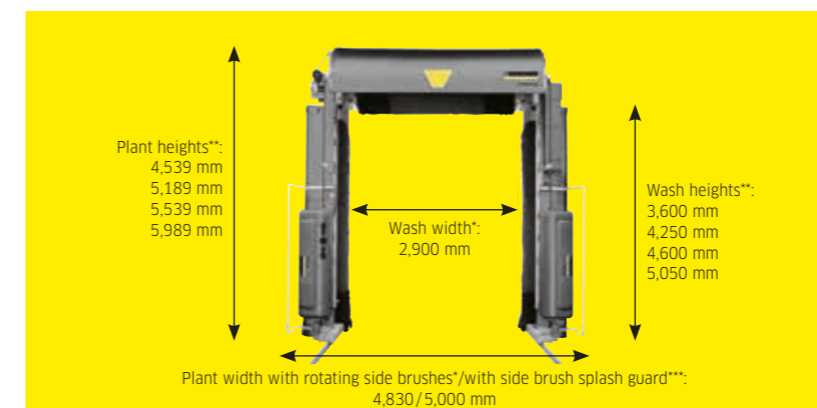
A TB fits in your location. We created it to fit. Each basic version can be reduced in height by up to 300 mm, in 100 mm increments. And the width can be reduced by 100 mm on each side. The washing height and washing width will change accordingly. This means that the TB fits in almost every wash hall. Including yours.

### Trouble-free wash process

Our patented side-brush mounting allows the brushes to move unobstructed in all directions. This prevents the shafts from bending. The contact pressure of the side brushes is individually adjusted for each vehicle, and together with the precise contour detection promises optimal washing results.

### Individual parameter settings

The TB features a Can-Bus control system, which allows you to change parameters as you wish, for example direction, speed, or wash programmes. You can also save the specific vehicle geometries for different vehicle types. This allows you to make maximum use of your commercial vehicle wash's speed and safety.



| TB  |                                |
|---|--------------------------------|
| Wash heights**:   | 3,600/4,250/4,600/5,050 mm     |
| Plant heights**:  | 4,539/5,189/5,539/5,989 mm     |
| Plant heights with roof brush splash guard**:             | 4,597/5,247/5,597/6,047 mm     |
| Plant width with rotating side brushes*:                  | 4,830 mm                       |
| Plant width with side brush splash guard***:              | 5,000 mm                       |
| Fresh water connection:                                   | 100 l/min, 4-6 bar             |
| Rated input power:  | 5.3 kW                         |
| Power supply:   | 3~/400 V/50 Hz, 3~/220 V/60 Hz |
| * can be reduced by 200 mm in one step                    |                                |
| ** reduced by 100 mm for each of 3 steps                  |                                |
| *** adjustable by +/- 200 mm, dependent on brush diameter |                                |

# EVERYTHING YOU NEED

## 1 Reliable driver instructions

The positioning light can be mounted directly on the portal or be located separately in front of it.

## 2 Light barriers

The vehicle contours are recognized safely using light barriers.

## 3 Travel rails

Travel rails made from stainless steel or hot-dip galvanised for a perfect guiding of the portal.

## 4 Energy supply

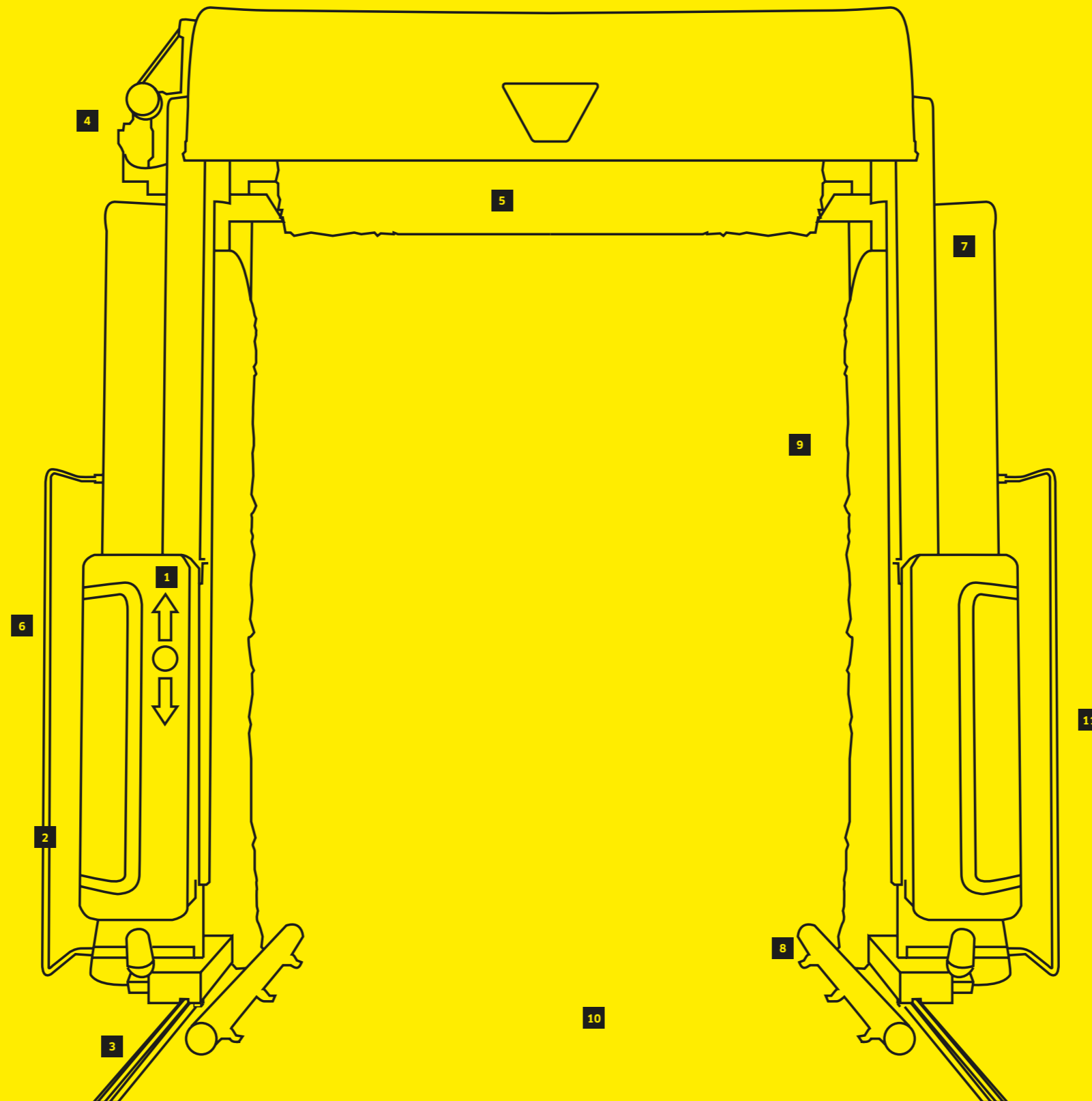
You have the choice between energy chain and festooned cable.

## 5 Brush equipment

For effective brush wash, you can choose between high-quality polyethylene brushes or a Carlite brush mixture, each also in your own individual design. The Carlite brush mixture brushes have 3 lower brush segments made of polyethylene, providing a powerful and paint-saving clean. The optimal solution for buses. Our brushes feature patented side brush mounting with freedom of movement in all directions. You will never have to deal with bent brush shafts again.

## 6 Operation panel basic and advanced

Select the operation panel basic with a maximum of 7 pre-defined wash programmes, or the operation panel advanced with up to 11 selectable and individually adjustable wash programmes. With the optional remote control, you have full manual control for a perfect wash procedure for vehicles with difficult contours.



## 7 Splash guard

Side and roof brush splash guards provide effective protection against splash water.

## 8 Wheel guides

Wheel guides guarantee safe vehicle positioning within the system.

## 9 Powerful high-pressure prewash

Our high-pressure prewash dissolves and removes even the most stubborn dirt in next to no time. For this purpose, you can use a chemical pre-spray system and high pressure with up to 60 bar from up to 3 spinning-brush pairs on each side of the system. Height-adjustable and 180°-rotatable roof beam guarantees effective front, rear and roof washes.

## 10 Under chassis wash

With 20 or 60 bar, the undercarriage wash effectively removes dirt from the vehicle's underbody.

## 11 Start and operating systems

You have access to all current and tested systems for successfully managing your TB. Magnetic card reader, PIN code, barcode and RFID card reader.



# WITH A STRONG HAND



The manual prewash, done by hand, is an essential part of thorough vehicle cleaning. With our cold and hot water high-pressure cleaners, you can quickly, easily and cost-effectively remove dirt, even in hard-to-reach places.

#### **Easy, quick, and thorough**

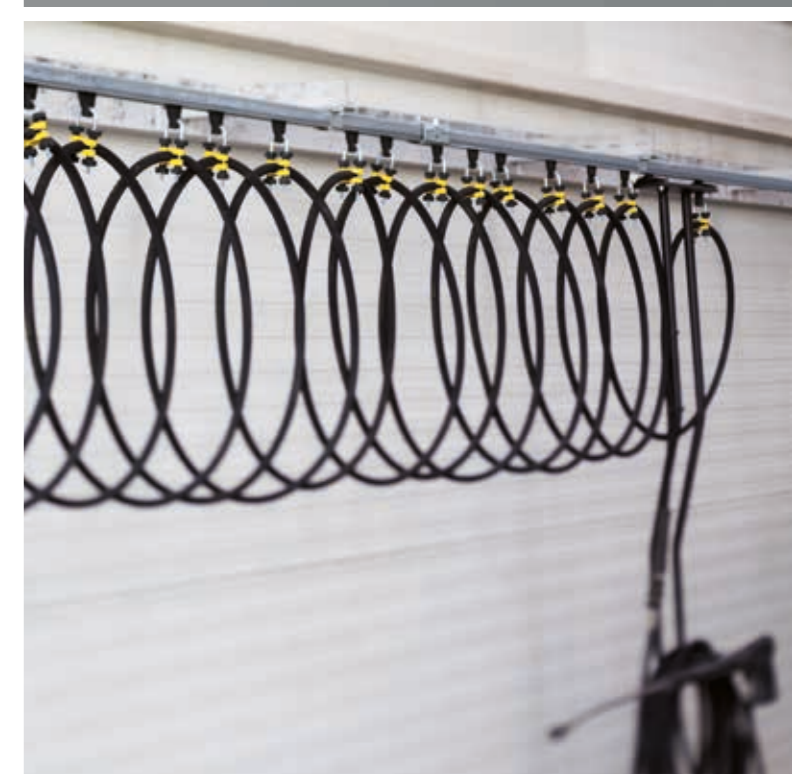
High-performance high-pressure cleaners clean quickly and reliably. A versatile range of accessories, e.g. the flexible spray lance, allows you to access even hard-to-reach areas.

#### **One device for multiple users**

Thanks to a central supply unit, multiple vehicles can be pre-washed simultaneously, or, as is often the case for commercial vehicles, 2 people can clean the vehicle at the same time: one on the left, the other on the right. Water is pumped to the point of use in the wash hall via a permanently installed pipeline system.

#### **Everything clean, everything safe**

Hose guiding systems on the side ensure safety and a controlled wash process. They prevent employees from tripping over the hoses. This also significantly increases the service life of the hoses.







# RBS: THE MOBILE

For targeted cleaning of the front, rear and sides of buses and vans, make use of RBS, our mobile single brush commercial vehicle wash. A rotating brush moving around the vehicle removes the dirt quickly and without effort. The highly economical solution for small vehicle fleets.

#### **Follows the vehicle's contours perfectly**

Sloping vehicle noses up to an angle of 10° can be washed with the RBS thanks to vertical contour detection and brush tilting mechanism with adjusting wheel.

#### **Optimal economical dosage**

A dosing pump ensures that only the quantity of Kärcher cleaning agent actually needed is added to the mix. As a result, you reduce your operating costs and save natural resources.

#### **Simple operation**

A practical operating and safety handle allows for effortless control of the RBS, as the rotating brush assists forward movement. If you release the handle, brush rotation stops immediately.

#### **Unlimited mobility**

Thanks to its aluminium construction, the RBS is durable and easy to control. Two track wheels and 4 steering rollers provide stability and ensure easy manoeuvring of the system. The semi-sided shell panelling reliably protects the user from splash water.

#### **RBS**

Wash heights: 3,645 / 4,205 mm

Plant heights: 3,810 / 4,370 mm

Plant width: 1,700 mm

Fresh water connection: 80 l/min, 3-6 bar

Rated input power: 1.15 kW

Power supply: 1- / 240 V / 50 Hz, 3- / 230 V / 50 Hz  
3- / 400 V / 50 Hz, 3- / 230 V / 60 Hz



# NATURALLY: WATER RECLAMATION

With Kärcher water reclamation systems, you not only save money – you also protect the environment.



**KÄRCHER**

Alfred Kärcher GmbH & Co. KG  
Alfred Kärcher Str. 28-40  
71364 Winnenden

Anlage zur Begrenzung  
von Kohlenwasserstoffen  
mit weitestgehender  
Kreislauführung

**Z-83.3-29**

## WRP 8000/16000

Using physical filtration, all of the waste water is fed back into the wash process, reducing fresh water consumption by up to 85%. The WRP 8000/16000 has DiBt (German Institute for Civil Engineering) type approval, which serves as proof of the best possible circulation in accordance with Appendix 49 of the German Waste Water Ordinance (AbwV). This also makes the official environmental approval process significantly simpler. For this reason, there is no need to make use of an oil separator.

# EFFECTIVE: CLEANING AGENTS

Precisely what you need: fully effective at all water hardness levels and specially formulated for Kärcher wash systems. With special content materials that protect water-conveying parts against corrosion. Our ASF products with patented, easily separable formulas are environmentally friendly.







# READY FOR EVERY TASK

### Remove coarse dirt with 60 bar

If your vehicles regularly take on coarse dirt, our high-pressure system with 60 bar is the perfect solution. With up to 3 spinner brushes on each side of the system, you can achieve effective pre-cleaning of vehicle side surfaces. The front and rear of the vehicle are cleaned by the movable roof bar, which is rotatable by 180°. Even stubborn dirt is removed in no time.



### Exclusive programme option for buses only

Buses always have to look good. Which is why we offer special programme options for buses, with which you can meet your requirements based on demand, vehicle fleet and local conditions.

The short drive wash is a combination of moving portal and moving bus: the front and rear are washed by the moving portal. When washing the sides of the vehicle, the portal remains still and it is the bus that moves.

In the case of the drive-through wash, the portal remains still and the bus is cleaned using only the side brushes. The bus simply drives slowly (walking speed) along the side brushes - front and rear are not washed.

The counter wash allows you to reach a high wash throughput, with optimal wash results. The bus is washed once while driving through the system, and then rinsed. The wash process for each bus starts at the opposite end: the first bus is washed from the front to the rear, the next bus is washed from the rear to the front, and so on.



### Not all mirrors are equal

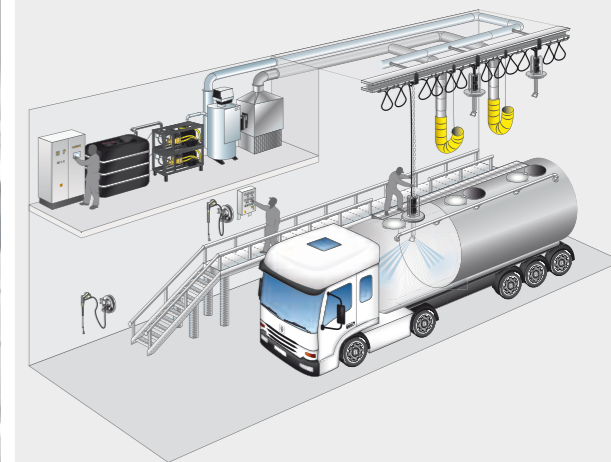
Because mirrors on truck and buses are very different, we offer 2 mirror programmes exclusively with the TB. The truck mirror programme is activated as a default. This programme avoids the wide angle mirrors (blind spot mirrors) at the front of the vehicle during washing. If you activate use of the pre-programmed bus programme, the wide sweeping bus mirrors are avoided.





# SUCCESS FROM WITHIN

We have been your partner for reliable and powerful systems for container interior cleaning for over 40 years. As a market leader in professional cleaning systems, we offer tailor-made solutions for all requirements based on modular components. Our high-quality systems are efficient, cost-effective and energy-saving – the result of our years of experience. From consulting and planning to construction, delivery and servicing of the systems, we are there for you.

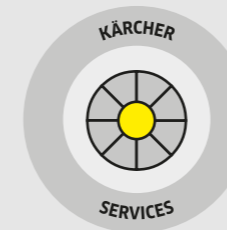




# YOU MANAGE YOUR BUSINESS. WE PROVIDE THE SUPPORT YOU NEED.

Things can be much easier when people combine their talents. Pursuing goals together, complementing one another and learning from each other makes it so much

easier to achieve success. One could call it the principle of progress. We call it Kärcher Services. A promise of partnership. By professionals, for professionals.



### Kärcher Services

The complete range of services from a world market leader. And the perfect continuation of the advanced Kärcher system with innovative tools, a tailored range of services and efficient software solutions.



### Kärcher Fleet Fleet management

The intelligent solution for industry and role-specific recording and evaluation of all machine data and tools for increased efficiency, documentation and operations planning.



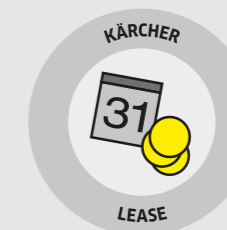
### Kärcher Maintain Service contracts

Every service package is precisely tailored to suit specific needs. The scope of services ranges from inspection as part of mandatory safety testing to servicing at the due date or the flat-rate Full Service.



### Kärcher Service Customer service

Service means trust. Always. Services you really need. Fast reactions for maximum availability. Maximum value retention and compliance with all statutory requirements.



### Kärcher Lease Leasing

Tailor-made. Flexible. Secure. We provide the flexibility you need: with leasing and financing models to suit every need.



# KÄRCHER

makes a difference

Please contact us for more information:

## Head Office Germany

Alfred Kärcher SE & Co. KG  
Alfred-Kärcher-Straße 28-40  
71364 Winnenden

Phone +49 7195-14-0  
Fax +49 7195-14-2212

[www.kaercher.com](http://www.kaercher.com)

## USA

Kärcher North America  
6398 N. Kärcher Way  
Aurora, CO 80019

Phone +1 800-444-7654  
Fax +1 866-271-0520

[www.karcherna.com](http://www.karcherna.com)

## Canada

Kärcher Canada Inc.  
275 Pendant Drive  
Mississauga, Ontario L5T 2W9

Phone +1 905-364-5006  
Fax +1 905-672-3155

[www.karcher.ca](http://www.karcher.ca)

## United Kingdom

Kärcher (UK) Ltd  
Kärcher House  
Brookhill Way  
Banbury  
Oxon OX16 3ED

Phone +44 1295-752-000  
Fax +44 1295-752-103

[www.karcher.co.uk](http://www.karcher.co.uk)

## Ireland

Kärcher Ltd (Ireland)  
Unit 3, Redcow Retail Centre  
Robinhood Road  
Ballymount, Dublin 22  
D22 PY03

Phone +353 1-409-7777  
Fax +353 1-409-7775

[www.karcher.ie](http://www.karcher.ie)

## South East Asia

Regional Head Office  
South East Asia

Kärcher South East Asia Pte Ltd  
3 Depot Close #05-01  
Singapore 109840

Phone +65 6897-1811  
Fax +65 6897-1611

[www.karcher.com.sg](http://www.karcher.com.sg)

## Hong Kong

Kärcher Limited  
Unit 01, 22/F, Westley Square  
48 Hoi Yuen Road  
Kwun Tong, Kowloon

Phone +852 2-357-5863  
Fax +852 2-357-5632

[www.karcher.com.hk](http://www.karcher.com.hk)

## Australia

Kärcher Pty Ltd  
385 Ferntree Gully Road  
Mount Waverley  
Victoria, AU 3149

Phone 1800 675-714  
(Free Call)

[www.karcher.com.au](http://www.karcher.com.au)

## New Zealand

Kärcher Ltd  
66 Allens Road  
East Tamaki  
Auckland 2013

Phone +64 9-274-4603  
Fax +64 9-274-6932

[www.karcher.co.nz](http://www.karcher.co.nz)

## North Africa

Kärcher SARL  
Immeuble Yasmine Tower  
Bloc A 6ème étage, bureau A 6.6  
Centre Urbain Nord  
1082 Tunis  
Tunisia

Phone +216 36339020

[info@tn.kaercher.com](mailto:info@tn.kaercher.com)

[www.kaercher.tn](http://www.kaercher.tn)

## East Africa

Kärcher Limited  
Regus Fortis Office Park  
P. O. Box 66488-00800  
Block C, Ground floor  
Muthangari Drive  
Westlands, Nairobi  
Kenya

Phone +254 205148145

[info@ke.kaercher.com](mailto:info@ke.kaercher.com)

[www.kaercher.com/ke](http://www.kaercher.com/ke)

## South Africa

Kärcher (Pty) Ltd  
Cnr Mount Joy &  
George Allen Rd  
Wilbart Ext. 2  
PO Box 11818  
Vorna Valley, 1686

Phone +27 11-657-7300  
Fax +27 11-657-7440

[www.karcher.co.za](http://www.karcher.co.za)

## Middle East

Kärcher FZE  
Quality Cleaning Systems  
Jebel Ali Free Zone  
Plot No. S-10104 South Zone  
RA 08, XB 1, Jebel Ali  
Dubai

Phone +971 4-886-1177

Fax +971 4-886-1575

[customercare@ae.kaercher.com](mailto:customercare@ae.kaercher.com)

[www.karcher.ae](http://www.karcher.ae)

## Qatar

Kärcher LLC  
Office No 133, Regus Building  
D Ring Road  
PO Box 35176

Phone +974 4-423-1319

[customercare@ae.kaercher.com](mailto:customercare@ae.kaercher.com)

[www.kaercher.ae](http://www.kaercher.ae)

## Caribbean

Kärcher S.R.L.  
Calle 5ta, esq. Calle 18, Nave 1  
Villa Aura  
Santo Domingo Oeste  
Dominican Republic

Phone +1 809-379-3700  
Fax +1 809-379-3777

[info@do.kaercher.com](mailto:info@do.kaercher.com)

[www.kaercher.com/do](http://www.kaercher.com/do)