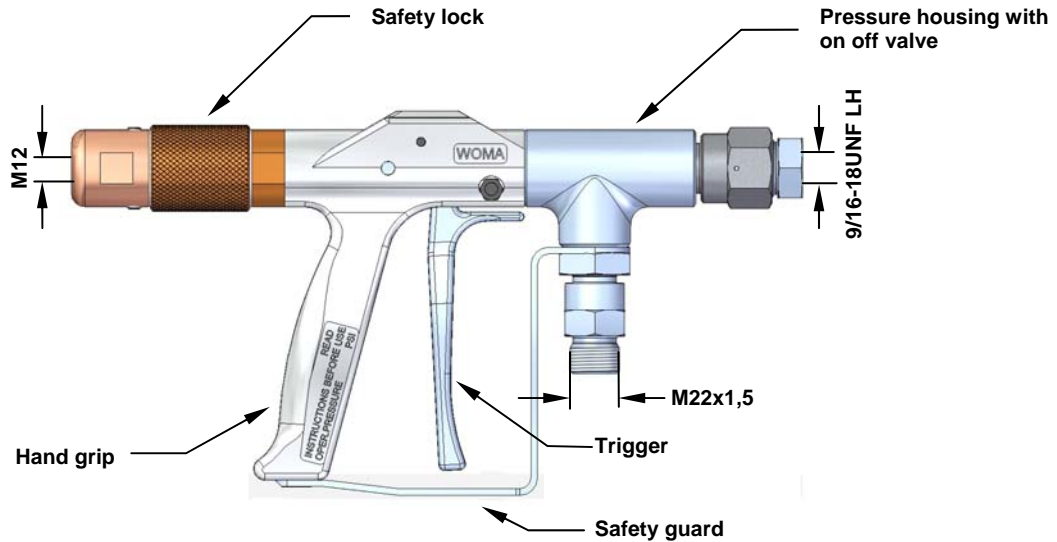


# High Pressure Gun

## HP 750S-V



### Description:

The HP 750S-V is a positive shutoff type high pressure jetting gun which incorporates an internal on/off valve designed for a max. operating pressure of 750 bar.

The nozzle pipes from the gun series HP1500 can be mounted directly. Water tools, such as Turbo nozzle, Orbimaster etc. can be connected without intermediate adapter.

Safety guard and rotary lock as well as light metal hand grip and forged steel pressure housing as standard equipment.

### Advantages:

High safety standard.

Safety guard and reliable safety lock.

Optimized sealing system.

### Technical data:

Material-No.:	9.914-078.0
Operating pressure:	max. 750 bar
Medium temperature:	max. +50°C
Recoil force perm. <b>without</b> body support:	max. 150 N
Recoil force perm. <b>with</b> body support:	max. 250 N
Weight:	appr. 2,9 kg
Length:	appr. 332 mm
Height:	appr. 175 mm
Width:	appr. 41 mm

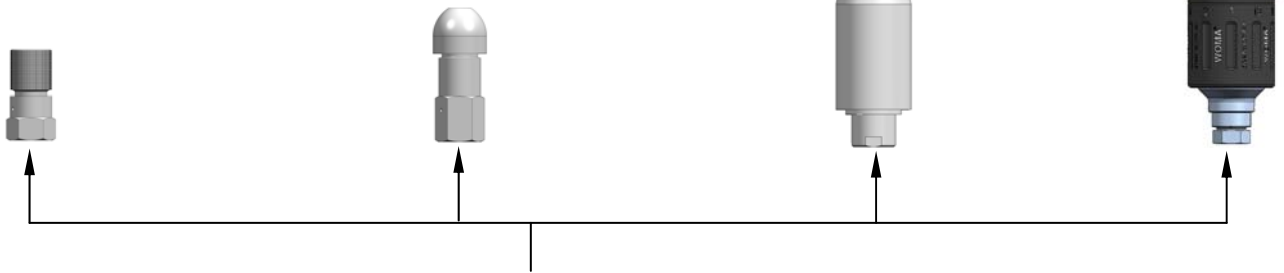
# HP 750S-V – Components

Nozzle connection	
Material No.	For nozzle form
9.873-090.0	1 and 8
9.872-008.0	4 and 19
9.878-291.0	21

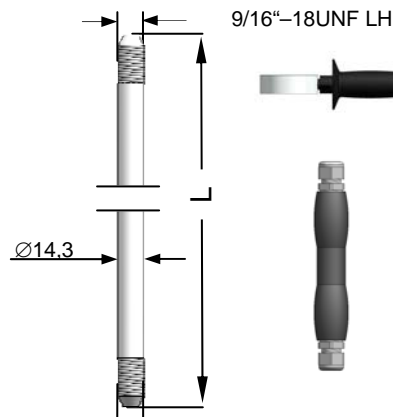
Nozzle connection for nozzle form 4 for coherent jet forming  
Mat.-No. 9.872-183.0

Orbimaster

Turbo Nozzle



Nozzle pipe		Weight
Material No.	L (mm)	kg
9.914-696.0	600	0,51
9.891-183.0	750	0,64
9.891-184.0	1000	0,85
9.891-207.0	1500	1,30
9.891-185.0	2000	1,69
9.891-186.0	3000	2,53
9.891-187.0	4000	3,37
9.891-188.0	5000	4,21
9.891-189.0	6000	5,05
9.891-383.0	7000	5,89



Hand grip  
Mat.-No.: 9.871-675.0



Hand grip  
Mat.-No.: 6.025-300.0

9/16"–18UNF LH

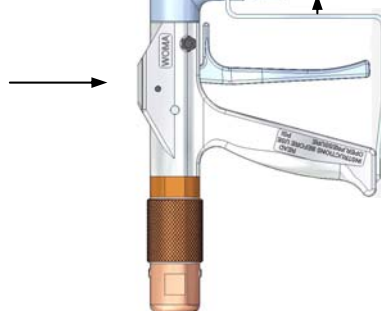


Turnable hose connection DSA 750  
M22x1,5 60° DK  
Mat.-No.: 9.872-524.0  
Weight: appr. 0,6 kg



Hose connection A  
M22x1,5 60° DK

Gun housing cpl. HP 750S-V  
with hose connection A  
M22x1,5 60° DK  
Mat.-No.: 9.914-078.0  
Weight: appr. 2,9 kg



Accessories hose connection	
Material No.	A
9.871-967.0	M22x1,5 24° DK
9.871-969.0	M24x1,5 24° DK
9.871-970.0	G1/2 A
9.871-971.0	G3/4 A
9.873-047.0	M22x1,5 WGA

Body support  
Mat.-No.: 6.025-301.0  
Weight: appr. 0,73 kg

