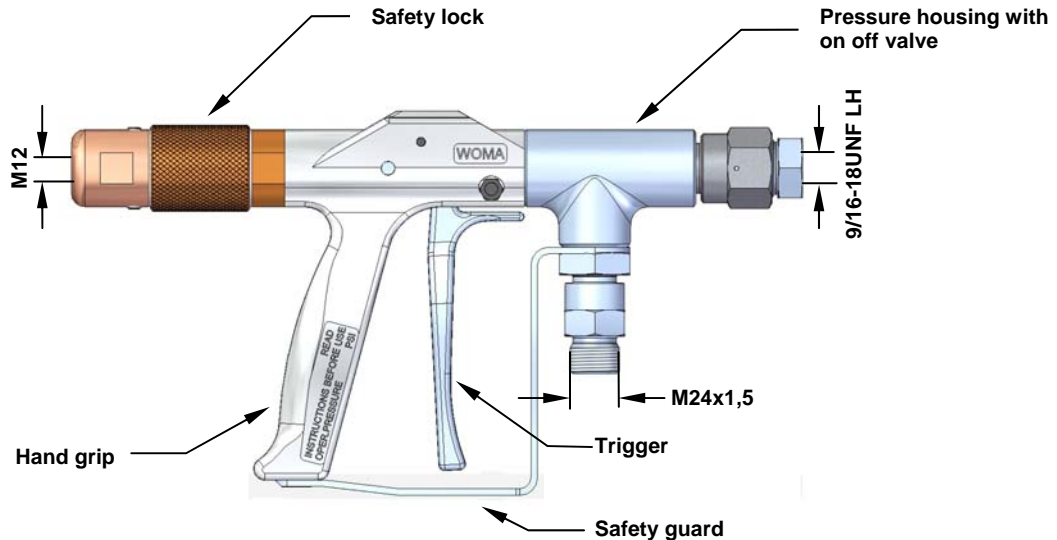


High Pressure Gun

HP 750S-V-M24



Description:

The HP 750S-V-M24 is a positive shutoff type high pressure jetting gun which incorporates an internal on/off valve designed for a max. operating pressure of 750 bar.

The nozzle pipes from the gun series HP1500 can be mounted directly. Water tools, such as Turbo nozzle, Orbimaster etc. can be connected without intermediate adapter.

Safety guard and rotary lock as well as light metal hand grip and forged steel pressure housing as standard equipment.

Advantages:

High safety standard.

Safety guard and reliable safety lock.

Optimized sealing system.

Technical data:

| | |
|--|--------------|
| Material-No.: | 9.915-812.0 |
| Operating pressure: | max. 750 bar |
| Medium temperature: | max. +50°C |
| Recoil force perm. without body support: | max. 150 N |
| Recoil force perm. with body support: | max. 250 N |
| Weight: | appr. 2,9 kg |
| Length: | appr. 332 mm |
| Height: | appr. 175 mm |
| Width: | appr. 41 mm |

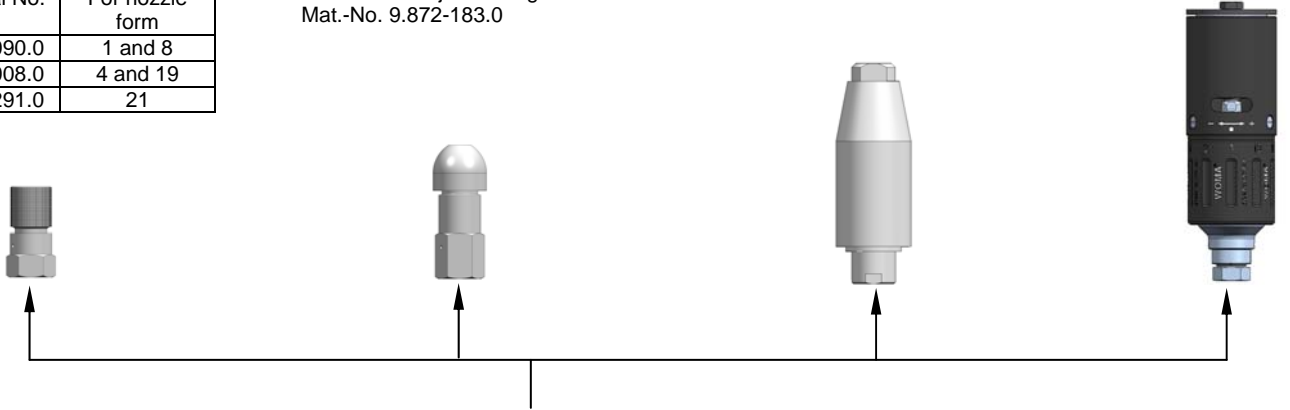
HP 750S-V-M24 – Components

| Nozzle connection | |
|-------------------|-----------------|
| Material No. | For nozzle form |
| 9.873-090.0 | 1 and 8 |
| 9.872-008.0 | 4 and 19 |
| 9.878-291.0 | 21 |

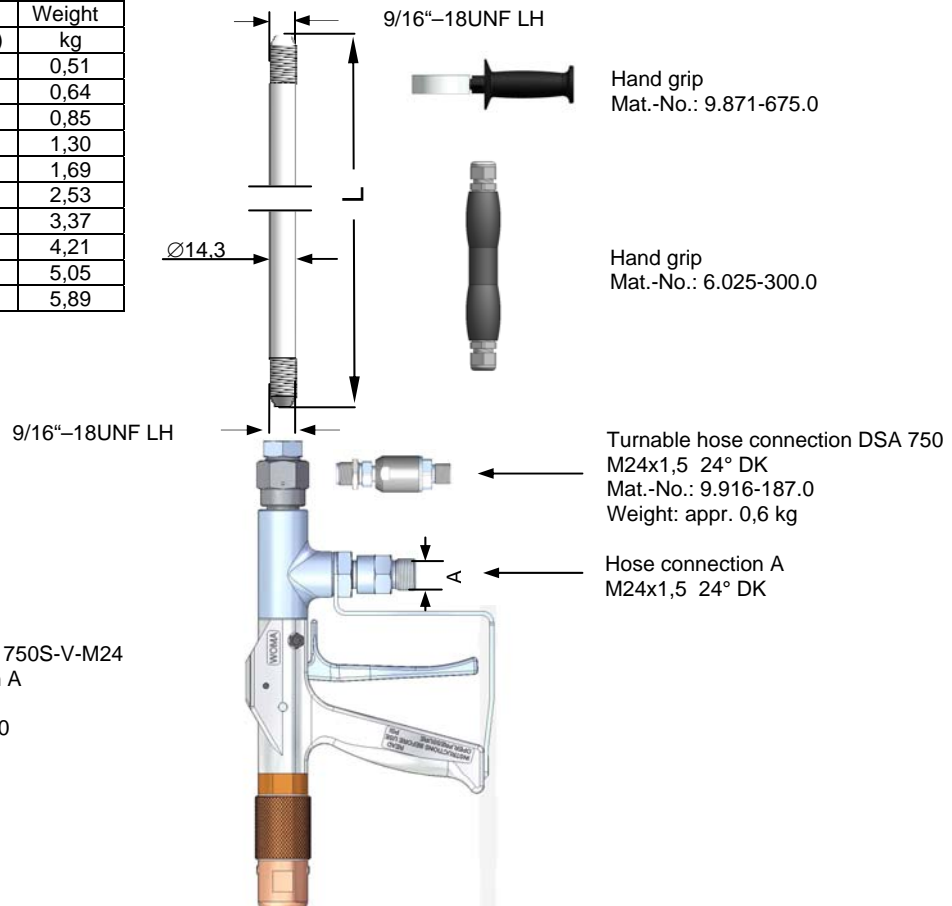
Nozzle connection for nozzle form 4 for coherent jet forming
Mat.-No. 9.872-183.0

Orbimaster

Turbo Nozzle



| Nozzle pipe | | Weight |
|--------------|--------|--------|
| Material No. | L (mm) | kg |
| 9.914-696.0 | 600 | 0,51 |
| 9.891-183.0 | 750 | 0,64 |
| 9.891-184.0 | 1000 | 0,85 |
| 9.891-207.0 | 1500 | 1,30 |
| 9.891-185.0 | 2000 | 1,69 |
| 9.891-186.0 | 3000 | 2,53 |
| 9.891-187.0 | 4000 | 3,37 |
| 9.891-188.0 | 5000 | 4,21 |
| 9.891-189.0 | 6000 | 5,05 |
| 9.891-383.0 | 7000 | 5,89 |



Body support
Mat.-No.: 6.025-301.0
Weight: appr. 0,73 kg

