

ErgoControl MC

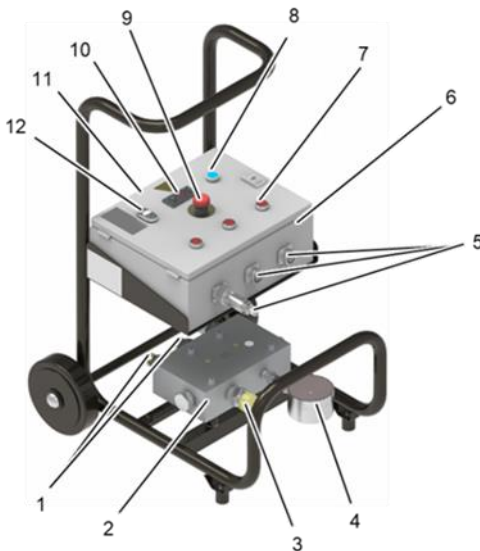
1500/3000

The ErgoControl MC (Multi Control) unites the power of up to three WOMA high-pressure units. In this way, the flow rates of two or even three high-pressure units, including ones with different flow rates, can be safely combined. The ErgoControl MC 1500 version enables a maximum volume of around 300 l/min at 1500 bar. The ErgoControl MC 3000 version achieves a maximum of 100 l/min at 3000 bar.

Specific advantages

- Centralised and safe enabling of high-pressure operation of all units
- Central Emergency Stop function
- Mobile design for maximum flexibility and product ergonomics

ErgoControl MC 1500

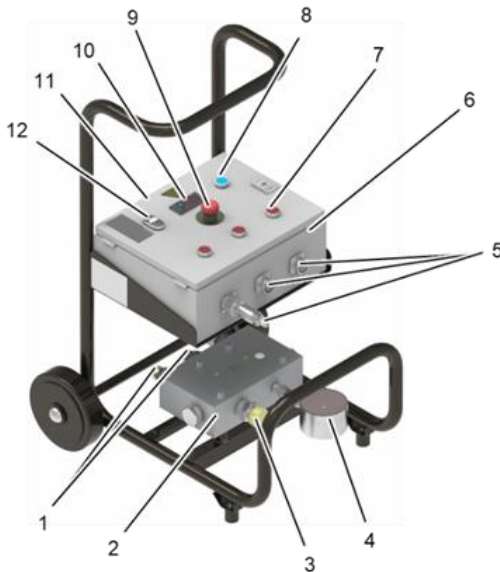


ErgoControl MC 1500

- 1 High-pressure connection inlet
- 2 High-pressure distributor
- 3 High-pressure connection outlet
- 4 High-pressure gauge
- 5 Electrical connection, devices 1-3
- 6 Control cabinet
- 7 Status message, devices 1-3
- 8 Reset EMERGENCY STOP
- 9 EMERGENCY STOP
- 10 Display of total flow rate in %
- 11 Connection for ErgoControl 24V remote control
- 12 Flow rate speed +/-

Technical data		
Material number		9.743-268.0
Operating pressure	max.	1,500 bar
Flow rate	max.	300 l/min
Overall width	approx.	571 mm
Length	approx.	635 mm
Height	approx.	883 mm
Weight	approx.	51 kg
High-pressure connection inlet 1-3		External thread M24x1.5DK 24°
High-pressure connection outlet		External thread M36x2DK24°
Electrical connection, devices 1-3		17-pin device connection

ErgoControl MC 3000



ErgoControl MC 3000

- 1 High-pressure connection inlet
- 2 High-pressure distributor
- 3 High-pressure connection outlet
- 4 High-pressure gauge
- 5 Electrical connection, devices 1-3
- 6 Control cabinet
- 7 Status message, devices 1-3
- 8 Reset EMERGENCY STOP
- 9 EMERGENCY STOP
- 10 Display of total flow rate in %
- 11 Connection for ErgoControl 24V remote control
- 12 Flow rate speed +/-

Technical data	
Material number	9.743-272.0
Operating pressure	max. 3,000 bar
Flow rate	max. 100 l/min
Overall width	approx. 571 mm
Length	approx. 635 mm
Height	approx. 883 mm
Weight	approx. 50 kg
High-pressure connection inlet 1-3	9/16-18UNF-LH
High-pressure connection outlet	9/16-18UNF-LH
Electrical connection, devices 1-3	17-pin device connection

Accessories

Description	Material number
Extension cable (5 m) for device connection	9.741-662.0
Extension cable (30 m) on reel for device connection	9.741-663.0