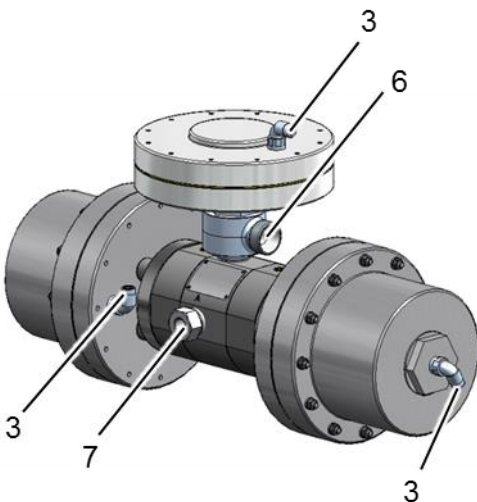
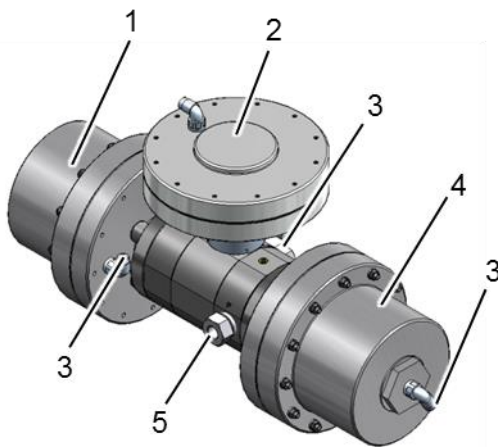


Multi-use consumer valve

MVV 3000

The MVV 3000 is a 3/2-way high-pressure valve for multi-gun operation up to 3,000 bar. The MVV 3000 enables two or more hand-held spraying devices to be operated by one pressure generator without mutual interference. A sudden increase in recoil forces is avoided. When additional spraying devices are activated, recoil forces change only slightly.



- 1 Main valve
- 2 Bypass valve
- 3 Air connection Z
- 4 Pilot valve
- 5 High-pressure inlet P
- 6 Return R
- 7 High-pressure outlet A

Special features

- Low weight
- Compact design with a small footprint
- Optimum running properties
- Pressurised components made of stainless steel
- High resistance to wear thanks to robust and solid construction
- Gentle pressure increase ensures high operator comfort

Technical data

Operating pressure	max.	3,000 bar
Medium		Water
Weight	approx.	25 kg
Cylinder diameter		200 mm
Height	approx.	310 mm
Width	approx.	600 mm
Connection A		9/16"-18 UNF-LH
Connection P		9/16"-18 UNF-LH
Connection R		G 1" A 60°DK
Connection Z1, Z2		Plug connection 8 mm
Air pressure	max.	10 bar

Variants

Material number	Pilot nozzle diameter [mm]	Volume flow rate [l/min]
9.907-576.0	0.6	11
9.871-228.0	0.7	15
9.871-229.0	0.8	19
9.871-230.0	0.9	25
9.893-622.0	1.0	31
9.907-577.0	1.1	37
9.871-232.0	1.2	44