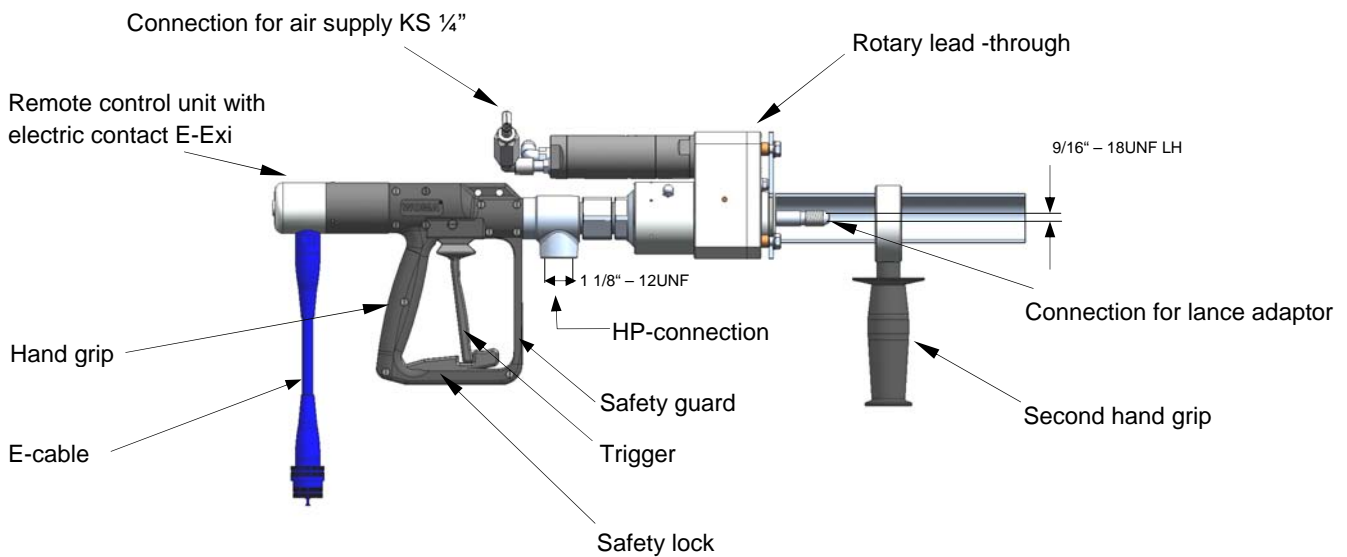


# ECO TOP DRILL 3000-E-Exi



## Description:

The Eco Top Drill 3000 is a high-pressure jetting gun equipped with a pneumatically driven rotary lead-through and an electric remote control.

The composition of Eco Top Drill, lance pipe and nozzle carrier head with nozzles represents a highly efficient water tool, which guarantees – depending on the rotation of the lance pipe – a high cleaning rate of the inner walls of pipes.

Standard equipment includes; a trigger safety guard and latching trigger lock to prevent unintentional use, forged steel pressure housing and light weight polymerized hand grip.

## Advantages:

Rotational speed adjustable by air pressure and quantity.

High safety standard.

Optimum running qualities.

Parts under pressure made of high tensile stainless steel.

Turn able hand grip for easy operation

All moving parts are protected from dirt and water invasion

## Technical Data:

Material-No.:	9.871-354.0
Operating pressure:	max. 3000 bar
Flow rate:	max. 45 l/min
Medium temperature:	max. 100° C
Reaction force perm. <b>without</b> body support:	max. 150N
Reaction force perm. <b>with</b> body support:	max.250 N
Air consumption:	6,5 bar at 0,6 m <sup>3</sup> /min
Air pressure:	max. 6,5 bar
Sense of rotation:	Clockwise in jet direction
Working rpm:	appr. 185 1/min
Weight:	appr. 7 kg
Length:	770 mm
Height:	210 mm
Width:	80 mm

# ECO TOP DRILL 3000-E-Exi – Components

